

LICENSE LAMP CHANGING HARNESS

CODE : 801-1300900

APPLICATION:MONKEY 125 (JB02)

Thank you for purchasing Kitaco product. Read and understand the instruction before installing.

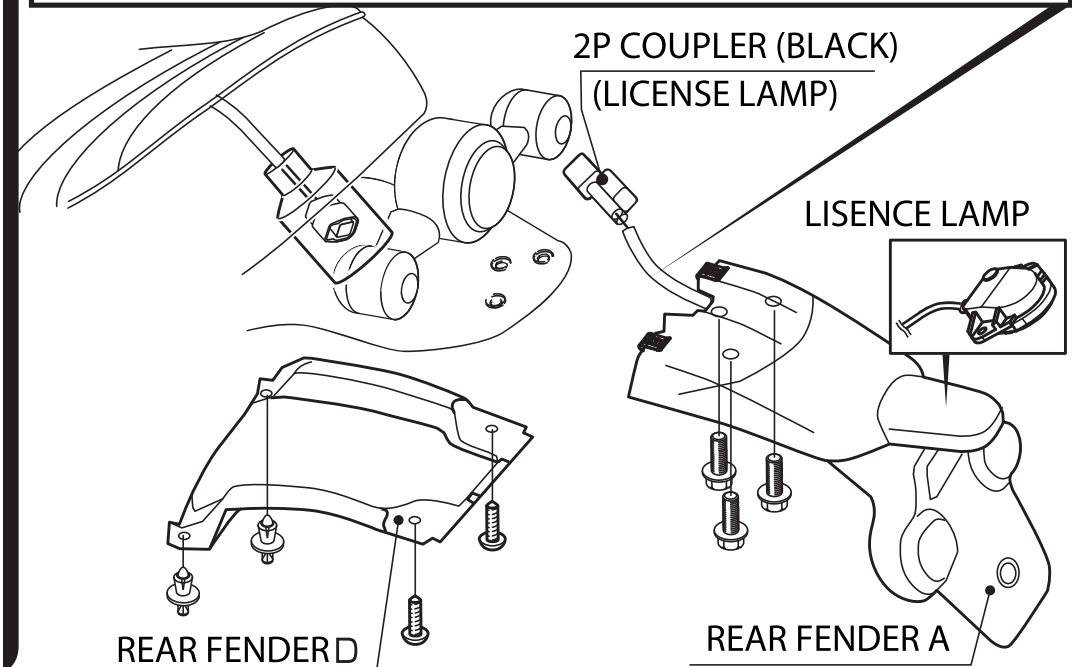
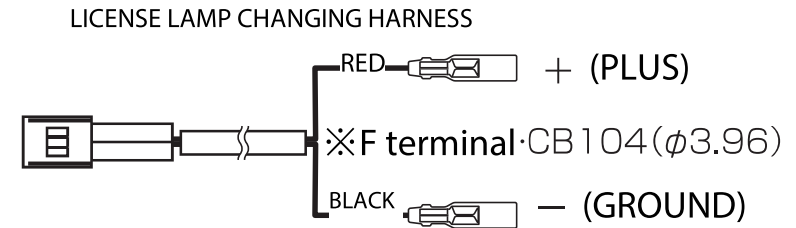
ATTENTIONS (MUST READ)

▼ Install LICENSE LAMP CHANGING HARNESS, referring to below instruction.

- We are not responsible for violation of law or damages and accidents caused by assembling mistake and improper setting.
- Please ask authorized mechanic for assembling and setting. Ask a specialist at specialty shop if you do not understand the role of the surrounding parts.
- Refer to the manufacturer HONDA service manual when installation.
- POWER SUPPLY EXTRACT HARNESS is designed and made exclusive for MONKEY 125 (JB02). Do not use on other models.
- Make sure there is no unusual thing in vehicle and engine starts normally.
- Make sure there is no bolt/ nut/ coupler/ terminal left or loosen before driving.
- Please give this instruction together when your vehicle is sold.

※NOT FOR HIGH CURRENT ACCESSORIES SUCH AS AMPLIFIER & COMPRESSOR, etc

※You need to wire terminal (CB104) according to which license lamp you use.



190531
3-8-13 NAGATA, HIGASHI-
OSAKA, OSAKA, 577-0015,
JAPAN

 **KITACO**
株式会社 キットコ