

LED SHUTTLE BEAM kit No.1/2

CODE	(YELLOW) 800-1470530 (additional kit Y) 800-1470630	(CLEAR) 800-1470580 (additional kit C) 800-1470680
APPLICATION	HUNTER CUB CT125 (JA55/65)	
REMARK	This product is optional parts for Kitaco bush guard.	

● Thank you for purchasing Kitaco product. Read and understand the instruction before installing.

ATTENTION (MUST READ)

- This product is made for dress up. Do not use for others.
- This product is designed and made exclusive for application vehicle, do not use other models. Do not modify the way which is not listed or it will cause damage and trouble.
- We are not responsible for violation of law or damages and accidents caused by assembling mistake and improper setting.
- Bolts and nuts may get loosen by engine vibration. Make sure not to loosen any bolts and nuts before driving.
- This instruction sheet is for the instruction for genuine condition.
- ※ Metal/resin/alumite products get discolored/rust for ages as well as how to use. Please understand when using.
- ※ The lens have individual difference. This is tolerance, not defective product. Please understand before installing.

[IMPORTANT] ATTENTION WHEN USING!

- This product may violate the law of the difference of amount of light and light range. Depending on where to install, it might violate safety standard. Please use this only for dress up or auxiliary lighting.
- Condensation may occur because of temperature difference.
- This product is not completely waterproof. Please be careful when washing.
- If install to a lot of vibration position, this might not work perfectly, in the worst case, it cause of break. When installing, please do anti-vibration. If you install near engine, vibration and heat might cause of malfunction.
- ※ We are not responsible for break because of heat and vibration. Be careful of it.

● WHEN INSTALLED TOGETHER WITH A GRIP HEATER THAT CONSUMES A LOT OF POWER, IT MAY EXCEED THE VEHICLE'S ALLOWABLE POWER CONSUMPTION.

SPECIFICATION

VOLTAGE ; DC12V(AC alternating current cannot be used)/power consumption 10w/current consumption:0.9A

LIGHTING ; Spot beam

BRIGHTNESS ; MAX 800 lumen / color temperature 6000 kelvin (clear)

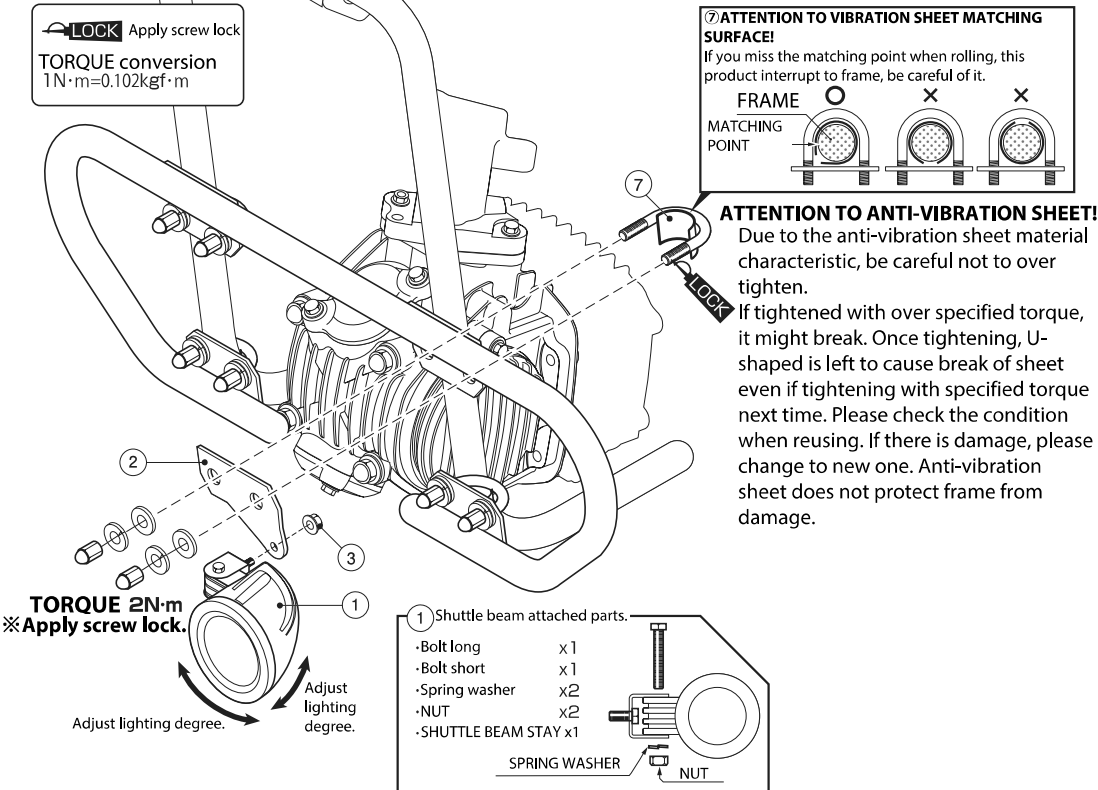
HARNESS LENGTH ; about 300mm

SPECIFICATION ; Aluminum die-casting body / acrylic lens / stay·bolt set

PACKING LIST (Refer to the figure & illustration below.)				Ad kit Y	Ad kit C
FIGURE	NAME	CODE	QTY		
1	LED SHUTTLE BEAM	YELLOW	800-1300330A	x1	-
		CLEAR	800-1300380A	-	x1
2	STAY	FOR BUSH GUARD	800-1470501	x1	x1
3	FLANGE LOCK NUT	6mm	001-0550006	x1	x1
4	POWER SUPPLY HARNESS	HONDA type-4	756-9000130	x1	-
5	EXTENTION HARNESS	SHUTTLE BEAM	800-1470502	x1	-
6	TIE WRAP (MS TIE)	152x3.5	700-9200152	x2	x2
7	ANTI-VIBRATION SHEET		684-1470004	x1	x1

HOW TO INSTALL

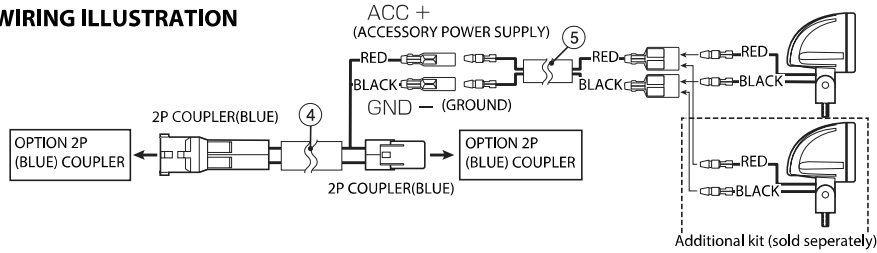
- Tighten this product with attached stay ② with bush guard installation bolts. (Illustration installs on left, but it can install on right side with flipped over.)
- Adjust the degree of shuttle beam irradiation angle not to obstruct the view of oncoming vehicles.
- The power supply of the shuttle beam is to insert option 2P coupler from inside headlight case to attached harness. (Refer to the harness layout /connection illustration on No.2.)
- Make sure not to loosen any parts before riding.



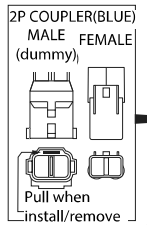
LED SHUTTLE BEAM kit No.2/2

CODE (YELLOW) 800-1470530 (additional kit Y) 800-1470630 (CLEAR) 800-1470580 (additional kit C) 800-1470680

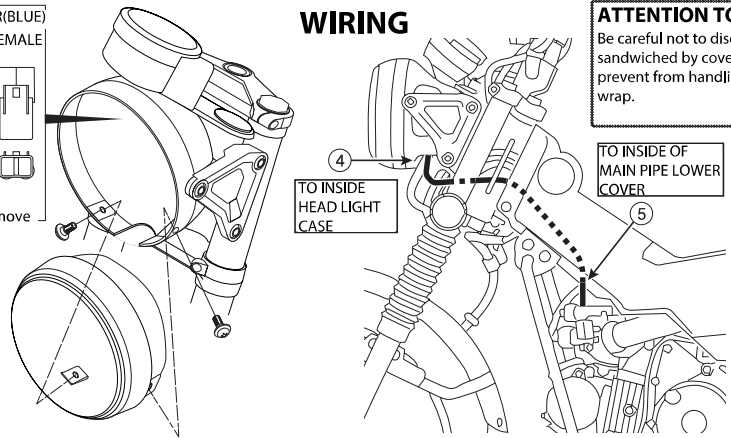
WIRING ILLUSTRATION



POWER SUPPLY OUTLET	CONNECTOR / COUPLER POSITION
OPTION 2P (BLUE) COUPLER	Inside head light case. (waterproof process by dummy coupler) Remove dummy coupler to connect wire harness④.

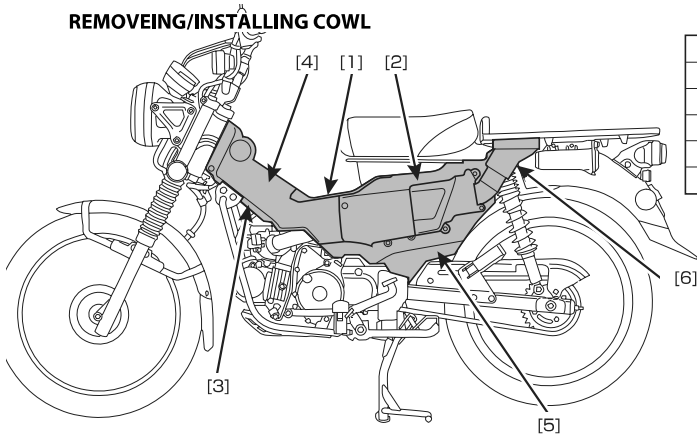


WIRING



ATTENTION TO WIRING!
Be careful not to disconnect the harness sandwiched by covers and other parts not to prevent from handling, and fix with attached tie wrap.

REMOVING/INSTALLING COWL



[1]	CENTER COVER
[2]	AIR CLEANER GARNISH / CASE
[3]	MAIN PIPE LOWER COVER
[4]	L. MAIN PIPE COVER
[5]	L. SIDE COVER
[6]	AIR CLEANER DUCT CAP

200914 Y-N

〒 577-0015

3-8-13 NAGATA, HIGASHI-
OSAKA, OSAKA, JAPAN

