

LED SHUTTLE BEAM kit No.1/2			
CODE	(YELLOW) 800-1470530 (Additional kit Y) 800-1470630	(CLEAR) 800-1470580	(Additional kit C) 800-1470680
APPLICATION	HUNTER CUB CT125 (JA55/65)		
REMARK	This is optional parts for dealing with Kitaco bush guard.		

● Thank you for purchasing Kitaco product. Read and understand the instruction before installing.

ATTENTION (MUST READ)

- This product is made for dress up. Do not use for others.
- This product is designed and made exclusive for application vehicle, do not use other models. Do not modify the way which is not listed or it will cause damage and trouble.
- We are not responsible for violation of law or damages and accidents caused by assembling mistake and improper setting.
- Bolts and nuts may get loosen by engine vibration. Make sure not to loosen any bolts and nuts before driving.
- This instruction sheet is for the instruction for genuine condition.
- ※ Metal/resin/alumite products get discolored/rust for ages as well as how to use. Please understand when using.
- ※ The lens have individual difference,. This is tolerance, not defective product. Please understand before installing.

(IMPORTANT) ATTENTION WHEN USING!

- This product may violate the law of the difference of amount of light and light range. Depending on where to install, it might violate safety standard. Please use this only for dress up or auxiliary lighting.
- Condensation may occur because of temperature difference.
- This product is not completely waterproof. Please be careful when washing.
- If install to a lot of vibration position, this might not work perfectly, in the worst case, it cause of break. When installing, please do anti-vibration. If you install near engine, vibration and heat might cause of malfunction.
- ※ We are not responsible for break because of heat and vibration. Be careful of it.

● WHEN INSTALLED TOGETHER WITH A GRIP HEATER THAT CONSUMES A LOT OF POWER, IT MAY EXCEED THE VEHICLE'S ALLOWABLE POWER CONSUMPTION.

SPECIFICATION

VOLTAGE ; DC12V(AC alternating current cannot be used)/1 light power consumption(2 lights) 10w(20w)/current consumption:0.9A(1.8A)

LIGHTING ; Spot beam

BRIGHTNESS ; MAX 800 lumen / color temperature 6000 kelvin (clear)

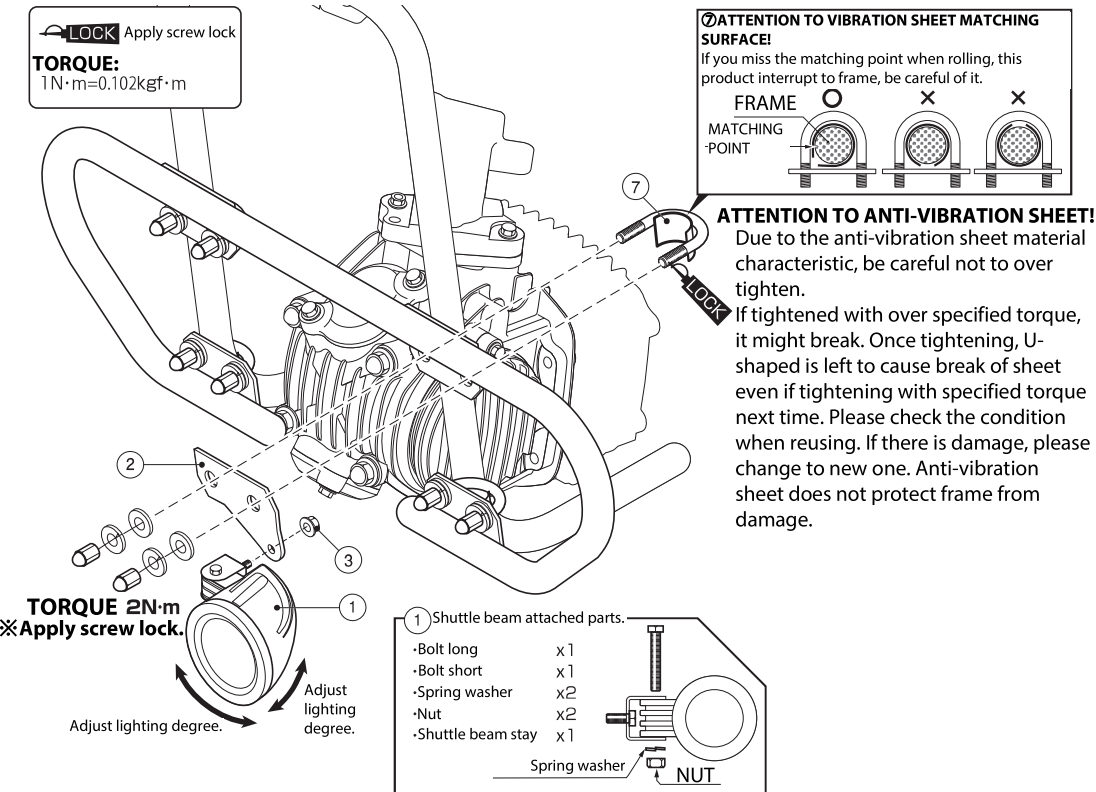
HARNESS LENGTH ; about 300mm

SPECIFICATION ; Aluminum die-casting body / acrylic lens / stay· bolt set

PACKING LIST (Refer to the figure and illustration below.)				AD kit Y	AD kit C
FIGURE	NAME	CODE	QTY		
1	LED SHUTTLE BEAM	YELLOW	800-1300330A	x1	-
		CLEAR	800-1300380A	-	x1
2	STAY	For bush guard	800-1470501	x1	x1
3	FLANGE LOCK NUT	6mm	001-0550006	x1	x1
4	POWER SUPPLY HARNESS	HONDA type-4	756-9000130	x1	-
5	EXTENSION HARNESS	SHUTTLE BEAM	800-1470502	x1	-
6	TIE WRAP (MS TIE)	152x3.5	700-9200152	x2	x2
7	ANTI VIBRATION SHEET		684-1470004	x1	x1

HOW TO INSTALL

- Tighten attached ② stay with bush guard installation bolts together.
(In the illustration, installed to the left, if turn the stay back, enable to install to right side.)
- Adjust the degree of shuttle beam irradiation angle not to obstruct the view of oncoming vehicles.
- The power supply of the shuttle beam is to insert the harness from option 2P coupler inside headlight case.
(Refer to the wiring/connection illustration below.)
- Make sure not to loosen anything before riding.



⑦ ATTENTION TO VIBRATION SHEET MATCHING SURFACE!
If you miss the matching point when rolling, this product interrupt to frame, be careful of it.

FRAME

MATCHING POINT

ATTENTION TO ANTI-VIBRATION SHEET!
Due to the anti-vibration sheet material characteristic, be careful not to over tighten.

If tightened with over specified torque, it might break. Once tightening, U-shaped is left to cause break of sheet even if tightening with specified torque next time. Please check the condition when reusing. If there is damage, please change to new one. Anti-vibration sheet does not protect frame from damage.

TORQUE 2N·m
※Apply screw lock.

① Shuttle beam attached parts.

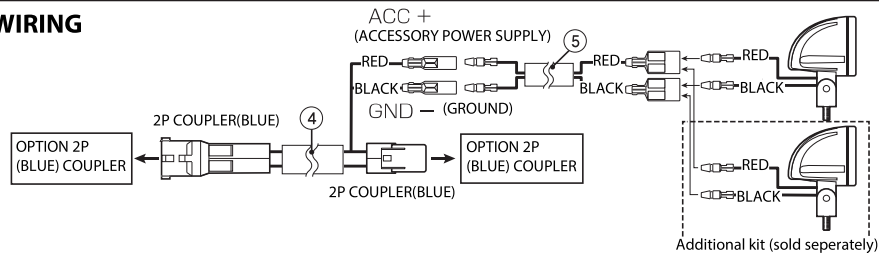
- Bolt long x1
- Bolt short x1
- Spring washer x2
- Nut x2
- Shuttle beam stay x1

Spring washer NUT

LED SHUTTLE BEAM kit No.2/2

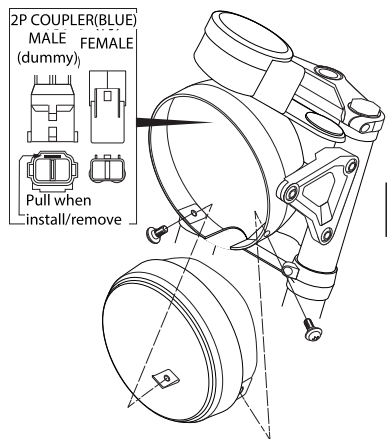
CODE (YELLOW) 800-1470530 (Additional kit Y)800-1470630 (CLEAR) 800-1470580 (Additional kit C)800-1470680

WIRING

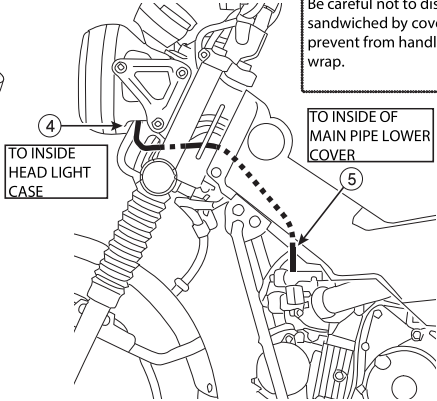


POWER SUPPLY OUTLET	CONNECTOR / COUPLER POSITION
---------------------	------------------------------

OPTION 2P (BLUE) COUPLER Inside head light case. (waterproof process by dummy coupler)
Remove dummy coupler to connect wire harness④.

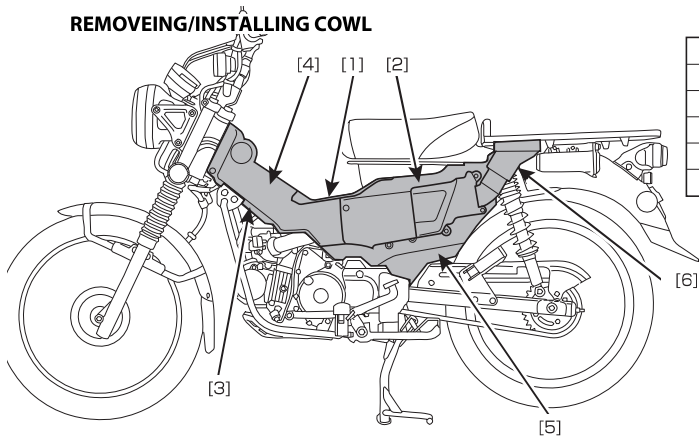


WIRING



ATTENTION TO WIRING!
Be careful not to disconnect the harness sandwiched by covers and other parts not to prevent from handling, and fix with attached tie wrap.

REMOVEING/INSTALLING COWL



[1]	CENTER COVER
[2]	AIR CLEANER GARNISH / CASE
[3]	MAIN PIPE LOWER COVER
[4]	L. MAIN PIPE COVER
[5]	L. SIDE COVER
[6]	AIR CLEANER DUCT CAP

200914 Y-N

〒 577-0015

3-8-13 NAGATA, HIGASHI-

OSAKA, OSAKA, JAPAN

