

USB POWER SUPPLY (SMALL TYPE)

No.1 /1

CODE	80-757-14460
APPLICATION	CROSS CUB 50 (AA06) / CROSS CUB (JA10-4000001~) / CROSS CUB 110 (JA45 / 60) SUPER CUB 50 PRO (AA04-3000001~) / 110 PRO (JA10-1100001~)
ATTENTION	SUPER CUB 50 STANDARD (AA04) / 110 STANDARD (JA10) have different power supply coupler so unable to use.

Thank you for purchasing Kitaco product. Read and understand the instruction before installing.

ATTENTION! (MUST READ)

- This instruction sheet is for the person who has basic knowledge for maintenance. Do not operate if you do not have skill and knowledge.
- This product is precision equipment, do not apply excessive force. It might cause of break and trouble. Do not modify the way which is not listed or it will cause damage and trouble.
- We are not responsible for violation of law or damages and accidents caused by assembling mistake and improper setting.
- Refer to the manufacturer service manual when installation.
- Bolts and nuts may get loosen by engine vibration. Make sure not to loosen any bolts and nuts before riding.

ATTENTION! (MUST READ)

▼ OPERATING ENVIRONMENT (We cannot guarantee out of the environment below.)

This product is made exclusive for DC 12V battery vehicle. This does not operate for battery less vehicle. The lighting is a little bit darker when voltage is lower than 12V. If the battery is weak, it might over voltage by high rpm and cause of break down. Be careful of it.

- Avoid installing and wire near the hard noise source, it might cause of trouble and break.
- This product works correctly only if electrical system is genuine situation. We cannot guarantee if other special product is installed. (spark plug, plug cap, high tension coil, ignition coil, HID, music product, etc.)

▼ HOW TO TAKE CARE

- Check the maximum power before using. If over powered, it might cause of trouble and break of vehicle electrical system.
- Avoid using under rain and washing. Avoid parking under the rain.
- Please wear attached rubber cap when not in use. (This is not perfectly waterproof. If water splash intensively to this product, water might enter. Be careful of it.)
- This product is precision equipment, if installing to vibration spot, this cannot bring out the full potential. In the worst case, it might break. Please install with anti-vibration, etc to avoid vibration. If mounting to near the engine, it might malfunction because of vibration and heat. These are not covered by warranty. Be careful of it.
- We are not responsible for directly or indirectly breaking and lost data while using this product.
- When install/remove this product, turn the power off of both product.
- This product might not work depending on connected equipment and situation.
- This product is not disassemble type. Do not disassemble this. It might cause of trouble and break.

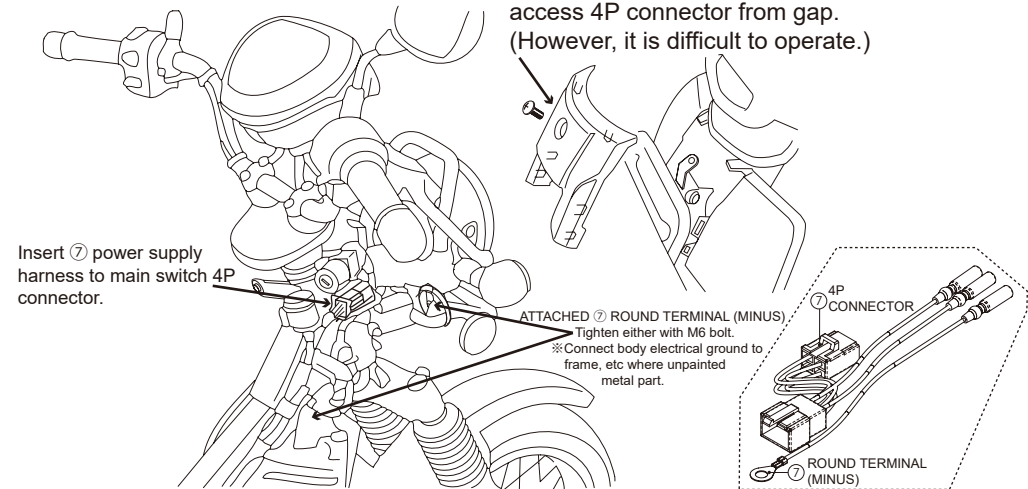
SPECIFICATION

INTERFACE	USB	TYPE Ax1
INPUT VOLTAGE	DC12V	
OUTPUT VOLTAGE	DC5V	
OUTPUT CURRENT	MAX 2500mA	
FIXING METHOD	○ USB Power supply stay : Compatible with $\Phi 22.2/25.4$ bar handle. (Handle O.D. adjust spacer attached.)	
OTHER	○ Drip-proof (when using attached rubber cap/not perfectly water proof) ○ Built in LED (BLUE) ※ Condensation occurs inside the main body (rubber cap) because of changing temperature, etc. Please avoid hard changing temperature place (around engine), and remove water frequently. (Remove water by air duster, vacuum, etc.) It might cause of trouble.	

PACKING LIST

FIGURE	NAME	CODE	QTY
1	USB PORT (POWER SUPPLY) FOR CROSS CUB	757-1446101	× 1
7	POWER SUPPLY HARNESS JA44 GROUP	756-1436900	× 1
-	MS TIE 100X2.5	700-9200100	× 3

Removing center cover to access 4P connector from gap.
(However, it is difficult to operate.)



Insert ⑦ power supply harness to main switch 4P connector.

ATTACHED ⑦ ROUND TERMINAL (MINUS).
Tighten either with M6 bolt.
※ Connect body electrical ground to frame, etc where unpainted metal part.

4P CONNECTOR
⑦ ROUND TERMINAL (MINUS)

▼ ABOUT USB PORT HARNESS

○ RED LEAD WIRE : ACC (ACCESSORY) POWER SUPPLY (+)

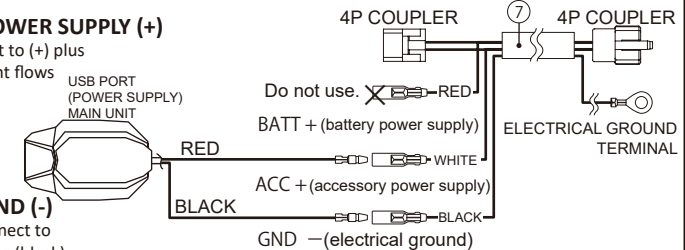
Power supply wire to USB port in/output. Connect to (+) plus (⑦ power supply harness white wire) that current flows when turning ON ignition switch.

ATTENTION!

Do not connect to ⑦ power supply harness red lead wire (BATT : battery power supply.)

○ BLACK LEAD WIRE : POWER SUPPLY ELECTRICAL GROUND (-)

Electrical ground wire to USB port in/output. Connect to ⑦ power supply harness electrical ground (-) wire (black).



ATTENTION TO HARNESS ROUTING!

Be careful of harness cut because of sanded by covers or other parts.
Do not block handling. Fix with attached tie wrap.

HOW TO USE

● HOW TO FIX

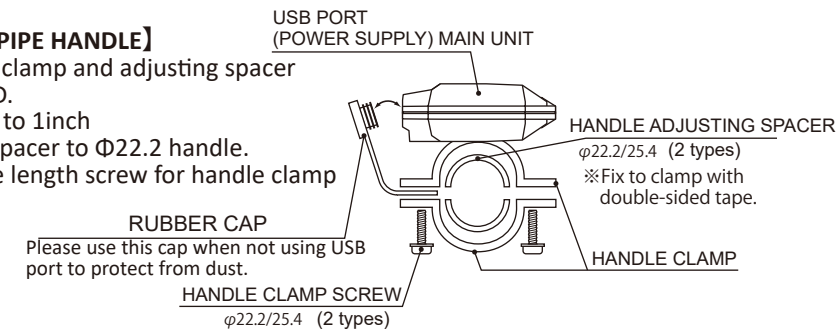
[ATTENTION TO FIXING PIPE HANDLE]

Fix with attached handle clamp and adjusting spacer to match handle pipe O.D.

※ Please use thin spacer to 1inch

[$\Phi 25.4$] handle, thick spacer to $\Phi 22.2$ handle.

※ Please use appropriate length screw for handle clamp to match handle O.D..



RUBBER CAP
Please use this cap when not using USB port to protect from dust.

HANDLE CLAMP SCREW
 $\phi 22.2/25.4$ (2 types)

220421