

# FRONT BASKET INSTRUCTION SHEET

Thank you for purchasing Kitaco product. Read and understand the instruction before installing. Please keep in safe with user after the installation.

CODE	( BLACK ) 80-688-90050
SIZE	O.D.: (W)336 (D)240 (H)200mm
APPLICATION	UNIVERSAL (You need condition below for installation.) <b>Do not install it to the place to interrupt the head light, winker, lights, do not install.</b>

## ATTENTION

- Do not modify the way which is not listed or it will cause damage and trouble.
- We are not responsible for violation of law or damages and accidents caused by assembling mistake and improper setting.
- Please ask authorized mechanic for assembling and setting.
- Refer to the manufacturer service manual when installation.
- Bolts and cords may get loosen by engine vibration. Make sure not to loosen any bolts and cords before driving.
- Refer to the illustration when installing not to mistake the direction for installation parts.
- According to vehicle shape and where to install, this product might interrupt to outer cowls that cause of scratch, etc. Please understand before installing.
- Be careful of handling this product like not to fall, make scratch, etc.
- Vehicle shape is different from the models, but installation is same.
- This instruction sheet is for genuine condition. If installed other parts, it might unable to install.
- When installation or adjustment, there might occur "gap" (large/small gap) between vehicle and this product on left and right. This is the product or vehicle tolerance, not the defective product. Please understand advance.

## COMPLETE PARTS

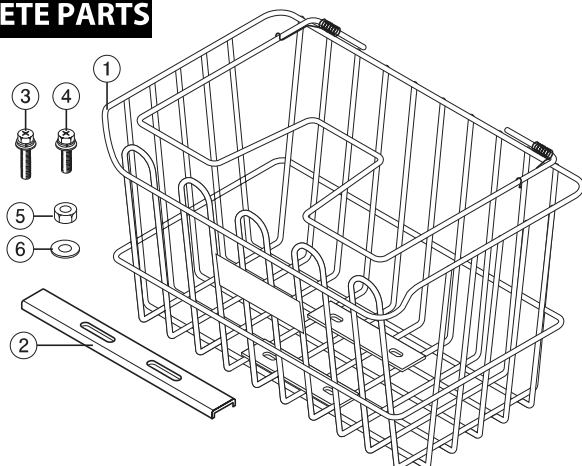


FIGURE	NAME	QTY
①	FRONT BASKET	1
②	PLATE	2
③	HEXAGON BOLT WITH WASHER M6x25	4
④	HEXAGON BOLT WITH WASHER M6x30	4
⑤	NUT 6mm	4
⑥	WASHER 6mm	4

## INSPECTION AFTER INSTALLATION

※Installation bolts might "loosen" by vibration or shock while riding. By 500km riding or regularly inspection. If the bolt loosen, please do additional tightening regularly. (Please follow basic torque.)

## ADVICE FOR TAKING CARE

- If you polish by scrub brush or polisher when washing, it might cause of scratch.
- For the dirt, please wipe lightly by cloth with a little bit neutral detergent. Then wash by water. Depending on the detergent kinds, it might cause of discolored. If you use detergent, please try first to unnoticeable place.

## ATTENTION!

- Do not overweight. It might cause of break. **(Weight limit : 3.0kg)**
- Please stack luggage stay in this product. Do not interrupt head light, winker, lights by stacking luggage. It cause of worse visibility and breaking luggage and light lens by heating up the light.
- Ride with luggage affect handling stability, please be careful of it. Please ride safely. Please ride under speed limit.
- Please fix luggage with bar (attached), rubber net, etc together not to fall down luggage or jumping out the luggage by riding on bad condition road or step.
- Do not turn vehicle by using this product. It might cause of breaking vehicle or other supplies.
- Do not stack valuables things.
- Flammable : Do not use around fire or heated things.
- Ultraviolet rays, winds,rains and ages may cause of aging and discolored. Please understand before using.
- Please check the front basket is fixed firmly before riding for safety.

## REQUIRED TOOLS

- PLUS DRIVER ( + ) ● SOCKET WRENCH, etc ● TORQUE WRENCH (RECOMMEND)
- Please refer to the vehicle service manual about required tool for removing / installing vehicle parts.

## HOW TO INSTALL

### 1, READY TO INSTALL.

- Move vehicle to flat place.
- Use stand firmly so that the vehicle does not fall down.

### 2, FIX FRONT BASKET.

- 1) Install front basket temporarily with attached bolt and nut while sanding attached stay and carrier. (Refer to the illustration.)

※Use attached bolts length good for fixing object.

- 2) Tighten bolts evenly with basic torque.

(Recommend torque: 9 ~ 10N·m / 0.9 ~ 1.0kgf·m)

