

FRONT FASHION BAR INSTALL FOR 10mm MIRROR HOLE

CODE	SILVER : 80-617-11570	BLACK : 80-617-11571
APPLICATION	For 10mm mirror hole installation. [APPLICATION EXAMPLE : DUNK (AF74) / SUPER CUB50 (AA04) / SUPER CUB110 / CROSS CUB (JA10) / SUPER CUB C125 (JA48) ※SUPER CUB-PRO is not acceptable.]	
PURPOSE	φ22.2 stay with bar for handle clamp, and able to fix mobile holder, etc. (The holder is not attached.)	

● Thank you for purchasing Kitaco product. Read and understand the instruction before installing.

ATTENTION (MUST READ)

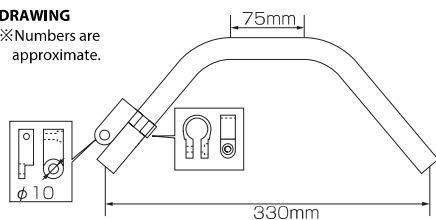
- This instruction sheet is for the instruction for genuine condition.
- This product is designed and made exclusive for φ22.2 handle clamp, do not use other models. Do not modify the way which is not listed or it will cause damage and trouble.
- This product is tightened with mirror together. This might not be installed according to commercial holder or vehicle model.
- We are not responsible for violation of law or damages and accidents caused by assembling mistake and improper setting.
- Please ask authorized mechanic for assembling and setting. Ask a specialist at specialty shop if you do not understand the role of the surrounding parts.
- Refer to the manufacturer service manual when installation.
- Bolts and nuts may get loosen by engine vibration. Make sure not to loosen any bolts and nuts before driving.

⚠ ATTENTION! (MUST READ)

- When installing this product, other mirror adapter might be needed.
- In case install this product to handle, do not apply excessive force to prevent handling. It might cause of break or cause of accident.
[Weight limit:500g]
- When installing commercial holder, install it firmly. We recommend to prevent from falling with strap, band and etc. We do not take responsibility of the product that installed.
- Please ride under the legal speed. It is designed under flat surface. Do not use for competition or bad road riding.
- Do not gaze or use the mobile phone, adjusting degree while riding.
- Do not use, keep or leave mobile phone under the direct sunlight. It might cause of machine break. Please follow the machine instruction.

DRAWING

※Numbers are approximate.

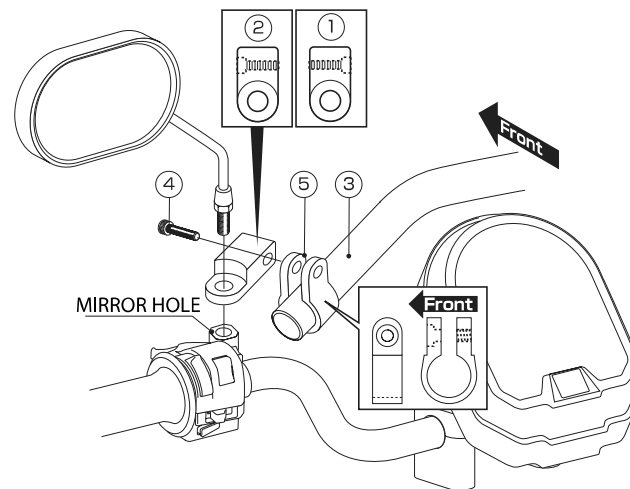


PACKING LIST				
FIGURE	NAME		CODE	QTY
1	HANDLE CLAMP STAY 10mm	SILVER	539-0900000	× 1
		BLACK	539-0900020	
2	HANDLE CLAMP STAY 10mm	SILVER	539-0900010	× 1
		BLACK	539-0900030	
3	FASHION BAR φ 22.2		539-1157661	× 1
	END CAP		998-0900005	× 2
4	CAP BOLT M6 × 35		060-0510035	× 2
5	FASHION BAR CLAMP		619-0801980	× 2

ATTENTION WHEN INSTALLING

- ※ Install this product temporarily first, then tighten alternately evenly.
- ※ **The difference from both left and right mirror hole (brake lever) installation degree, it might not able to install equally on both sides.**
- ※ Make sure not to break any part and tighten each bolts regularly.

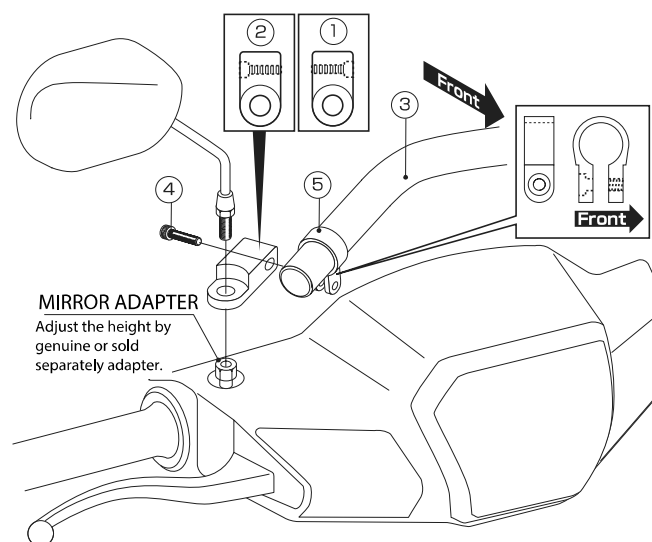
DUNK INSTALLATION ILLUSTRATION ON LEFT SIDE (Install same as right side.)



ATTENTION WHEN INSTALLING

- ※ Install this product temporarily first, then tighten alternately evenly.
- ※ **The difference from both left and right mirror hole (brake lever) installation degree, it might not able to install equally on both sides.**
- ※ Make sure not to break any part and tighten each bolts regularly.

CUB50(AA04)/110(JA10) INSTALLATION ILLUSTRATION ON RIGHT SIDE (Install same as left side.)



MIRROR ADAPTER
Adjust the height by
genuine or sold
separately adapter.

210323 Y-N



〒 577-0015
3-8-13 NAGATA, HIGASHI-
OSAKA, OSAKA, JAPAN