

# HELMET HOLDER

APPLICATION : CT125 HUNTER CUB (JA55)

CODE : BLACK 80-564-14700

● Thank you for purchasing Kitaco product. Read and understand the instruction before installing.

## ATTENTION (MUST READ)

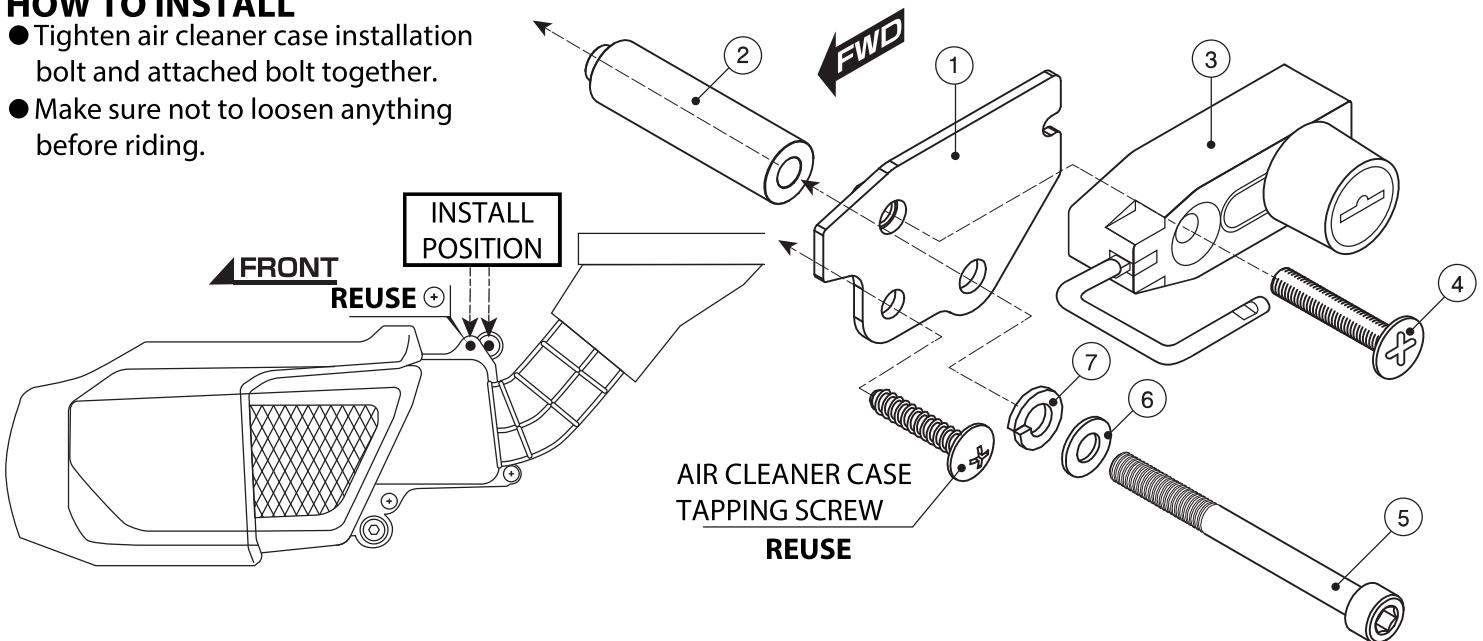
- This product is for easy helmet lock to vehicle when parking, not for anti-theft. Be careful of it.
- This product is designed and made exclusive for application vehicles, do not use other models. Do not modify the way which is not listed or it will cause damage and trouble.
- We are not responsible for violation of law or damages and accidents caused by assembling mistake and improper setting.
- Please ask authorized mechanic for assembling and setting.
- Bolts and nuts may get loosen by engine vibration. Make sure not to loosen any bolts and nuts before driving.

## PACKING LIST

FIGURE	NAME	CODE	QTY
1	HELMET HOLDER PLATE	564-1470001	x1
2	STEP COLLAR $\Phi 6$	564-1470002	x1
3	HELMET LOCK (T-2) BLACK	503-0600100	x1
4	COUNTERSUNK SCREW M6x30	063-0511030	x1
5	CAP BOLT M6x65	060-0500065	x1
6	WASHER 6x13xT1.0	090-0900006	x1
7	SPRING WASHER 6mm	091-0500006	x1
-	LOCK OIL	880-9900000	1

## HOW TO INSTALL

- Tighten air cleaner case installation bolt and attached bolt together.
- Make sure not to loosen anything before riding.



## ATTENTION!

- When using helmet lock, according to how to fix helmet, it might touch the vehicle and it causes of scratch. Avoid to use while riding.
- We do not accept the order of spare key. Please keep it safe. (We are not responsible for the lost spare key.)
- Do not ride with helmet lock, it might cause of accident.
- For key cylinder maintenance, recommend to use maintenance spray for key cylinder (lock oil). Do not use anti-dust lubricant.

200527 M-T

株式会社キタコ

〒 577-0015  
3-8-13 NAGATA, HIGASHI-  
OSAKA, OSAKA, JAPAN