

REAR CARRIER No. 1/2	CODE : 80-539-14530
APPLICATION : PCX125 (JF28/56/81/JK05/06) /PCX150 (KF12/18/30) 160 (KF47)	
REMARK : Making hole to grab rail cover for 125 (JF28) / 150 (KF12) is required.	

Thank you for purchasing Kitaco product. Read and understand the instruction before installing.

ATTENTION (MUST READ)

- This instruction sheet is for the instruction for genuine condition.
- This product is designed and made exclusive for application vehicles, do not use other models. Do not modify the way which is not listed or it will cause damage and trouble.
- We are not responsible for violation of law or damages and accidents caused by assembling mistake and improper setting.
- Please ask authorized mechanic for assembling and setting.
- Refer to the manufacturer service manual when installation.
- Bolts and nuts may get loosen by engine vibration. Make sure not to loosen any bolts and nuts before driving.

PACKING LIST				
FIGURE	NAME	CODE	QTY	REMARK
1	REAR CARRIER	539-1426001	x1	
2	CAP BOLT M8x50	080-0500050	x4	
3	WASHER 8x16xT1.2mm	090-0900008	x4	
4	SPRING WASHER 8mm	091-0500008	x4	
5	WASHER (STEIN LESS) 8x17xT1.0mm	090-0810170	x2	125 (JK05) /160 (KF47)

PCX125 (JF28) / 150 (KF12) HOW TO INSTALL

※ If there is a hard degradation like a blem, fatigue and wear etc on the reuse parts, please change to new ones.

After making hole to grab rail cover, install rear carrier on grab rail with attached bolts.

MAKING HOLE PROCESS

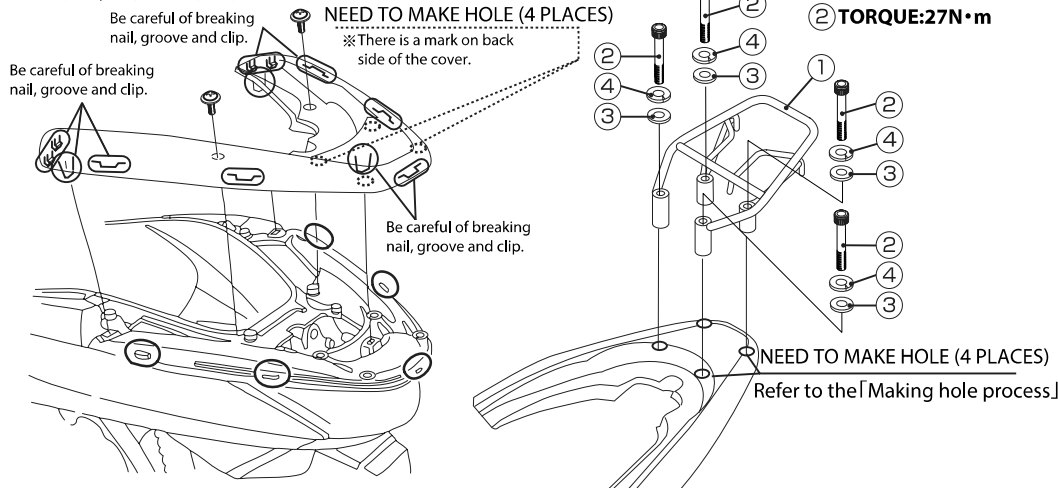
Remove grab rail cover to find bolt position mark on back side of over to make hole.

POINT

Drill cover take time without applying force to cover. Make holes with smaller drill and larger not to make crack, etc. Please make a hole to φ18~20. (φ18 is beautiful, but it difficult to decide position, so φ20 is good.)

125 (JF28) / 150 (KF12)

REMOVE / INSTALL GRAB RAIL COVER

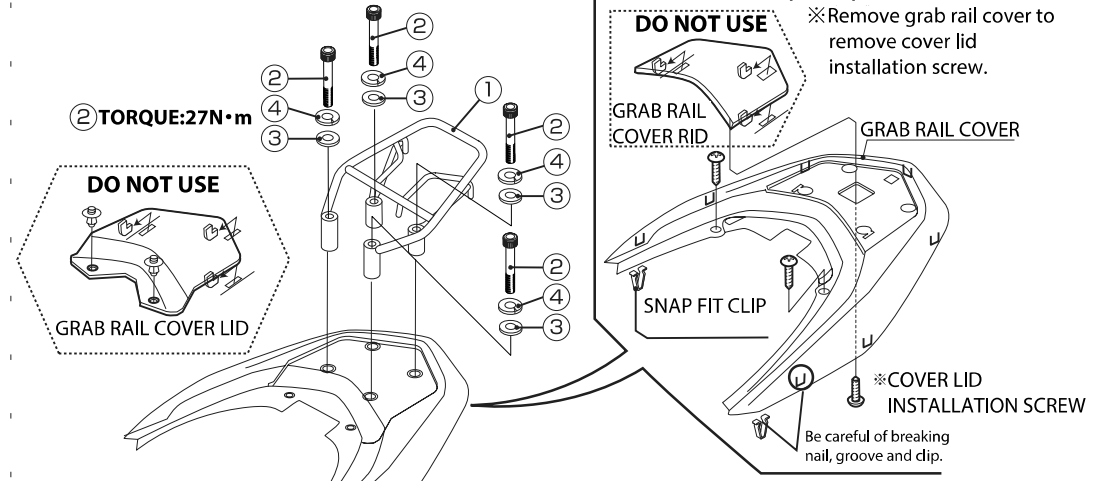


PCX125 (JF56/81/JK05/06) /150 (KF18/30) /160 (KF47) HOW TO INSTALL

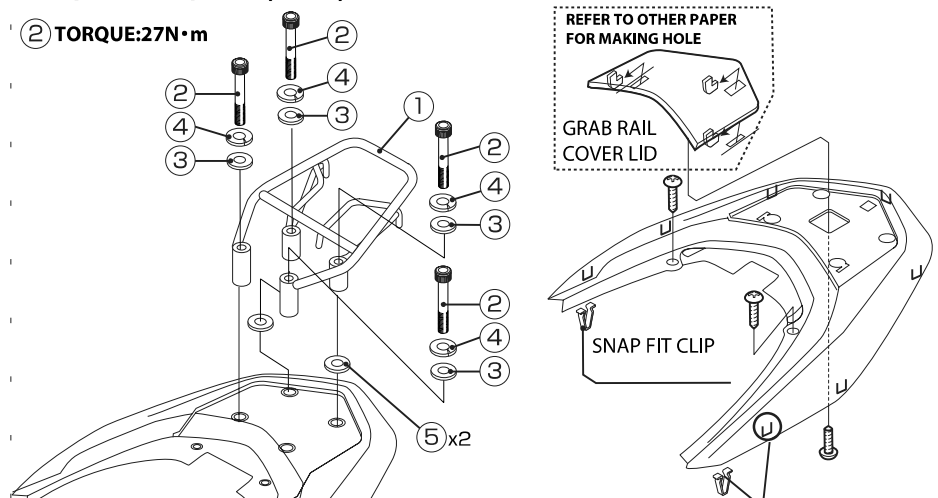
※ If there is a hard degradation like a blem, fatigue and wear etc on the reuse parts, please change to new ones.

Remove grab rail cover lid, then install rear carrier on the grab rail with attached bolts.

125 (JF56) / 150 (KF18)



125 (JK05/06) / 160 (KF47)



- ⊘ Do not apply excessive force to carrier such as using rope or tie to deliver the vehicle. It might damage the rear carrier or surrounding parts.
- ⊘ Do not overweight on carrier. It might damage the carrier. (Weight limit : 5.0kg)
- ⚠ Do not apply excessive force like lifting the vehicle using carrier. When you turning the vehicle, use it to helping tool.

220922 Y-H

KITACO
株式会社 キタコ

〒 577-0015
3-8-13 NAGATA, HIGASHI-OSAKA, OSAKA, JAPAN

REAR CARRIER No.2/2	CODE : 80-539-14530
APPLICATION : PCX125 (JF28/56/81/JK05/06) /PCX150 (KF12/18/30) 160 (KF47)	
REMARK : Making hole to grab rail cover for 125 (JF28) / 150 (KF12) is required.	

PCX125/E:HEV/160 **FOR (JK05/06/KF47)**
MAKING HOLE PATTERN PAPER FOR GRAB RAIL COVER LID

ATTENTION!

About pattern paper print setting
 If you print out instruction sheet (especially No.3 pattern paper) for yourself, please choose the "actual size" on print setting option. If you print out without choose "actual size", the pattern paper size is smaller than actual one, it cause of making hole to different place and it cannot fix. Please be careful of it.
 We are not responsible for the miss processing with print setting miss. Please understand before printing out.

APPLICATION : Adobe Acrobat Reader DC



GRAB RAIL COVER LID (SURFACE)



(HOLE O.D. : 18mm PROCESS)
 INSTALLATION EXAMPLE

