


| REAR CARRIER | |
|--------------|--|
| CODE | (BLACK) : 80-539-13100 |
| APPLICATION | SUPER CUB C125 (JA48) |
| REMARK | Tandem riding is prohibited. ※Helmet holder (stay):564-1310090 cannot be used together. (Helmet lock main unit can be installed to carrier.) ※Back rest (optional parts):652-1153900 cannot use. |

Thank you for purchasing Kitaco product. Read and understand the instruction before installing.

ATTENTIONS (MUST READ)

- This instruction sheet is for the instruction for genuine condition.
- Do not apply excessive force to carrier and back rest. It might break this product or surrounding parts.
- This product is designed and made exclusive for application vehicles, do not use other models. Do not modify the way which is not listed or it will cause damage and trouble.
- We are not responsible for violation of law or damages and accidents caused by assembling mistake and improper setting.
- Please ask authorized mechanic for assembling and setting.
- Refer to the manufacturer service manual when installation.
- Bolts and nuts may get loosen by engine vibration. Make sure not to loosen any bolts and nuts before driving.

 Do not apply excessive force to carrier when you use rope or tie to deliver the vehicle. It might damage the rear carrier or surrounding parts.

 Do not overweight on carrier. It might damage the carrier. **(Weight limit : 5.0kg)** (Tandem riding is prohibited.)

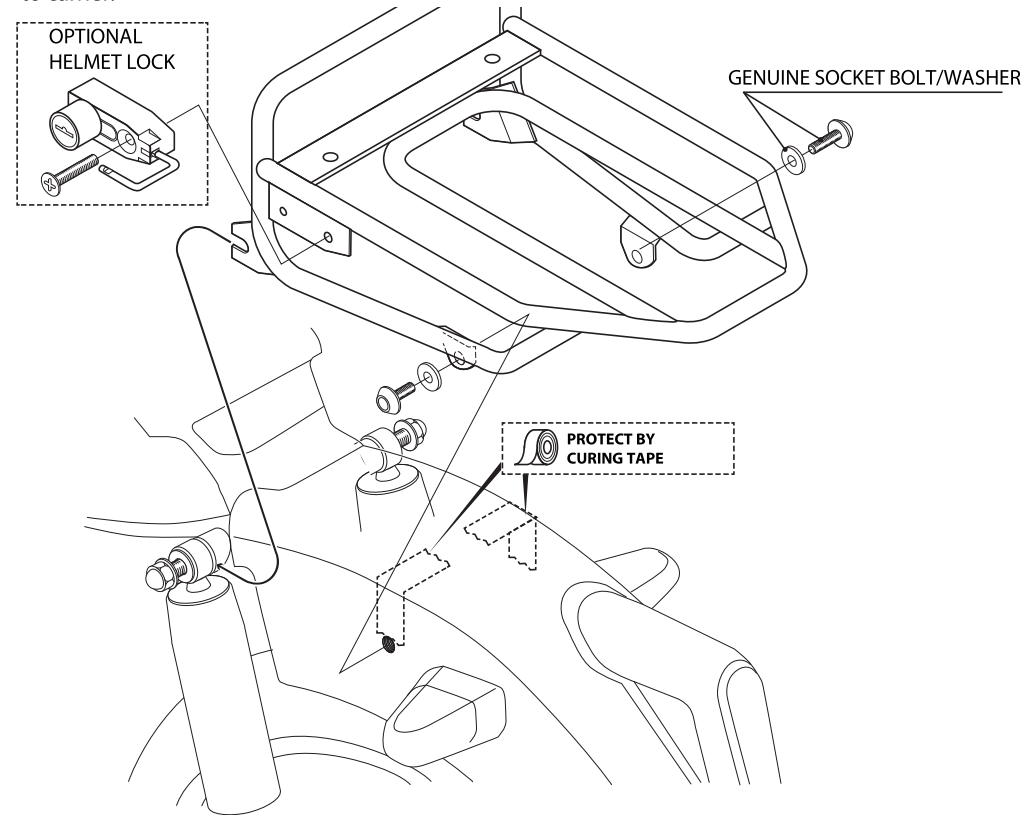
 Do not apply excessive force like lift the vehicle using carrier or grab bar. When you turning the vehicle, use it to helping tool.

| REAR CARRIER PACKING LIST | | | |
|---------------------------|----------------------|-----|--|
| CODE | NAME | QTY | |
| | REAR CARRIER (BLACK) | 1 | |

| OPTIONAL PARTS | | | | |
|----------------|-------------------|--------|--------|------------------------------------|
| CODE | NAME | QTY | REMARK | |
| 503-0600100 | HELMET LOCK (T-2) | BLACK | 1 | FLAT HEAD SCREW M6x30 is attached. |
| 503-0600110 | | CHROME | 1 | |

HOW TO INSTALL

- ※ If there is a hard degradation like a blem, fatigue and wear etc on the reuse parts, please change to new ones.
 - ※ When installation, rear carrier might scratch body (rear fender, etc), please protect by curing tape, etc before installation.
 - Install Kitaco carrier as same as genuine carrier with genuine sockets and bolts.
 - ※ Install rear carrier while removing rear shock or sliding it to out side.
 - ※ After installing genuine socket bolt/washer, tighten rear shock mounting nut.
- #### ABOUT HELMET LOCK
- ※ Helmet holder : 564-1310090 stay is not useable together, but helmet lock main unit can be installed to carrier.



191218 M-T


株式会社 キットコ

〒 577-0015
3-8-13 NAGATA, HIGASHI-
OSAKA, OSAKA, JAPAN