

i-map COUPLER ON SET No.1/2

CODE	(i-map + FEEDBACK CANCELLER) 763-1300200
APPLICATION	MONKEY125 (JB02)

● Thank you for purchasing Kitaco product. Read and understand the instruction before installing.

ATTENTION (MUST READ)

- This parts is made exclusive for racing use. Note that this parts is not covered under warranty. Obey national and local laws and regulations.
- We are not responsible for violation of law or damages and accidents caused by assembling mistake and improper setting.
- Please ask authorized mechanic for assembling and setting. Ask a specialist at specialty shop if you do not understand the role of the surrounding parts.
- Do not modify the way which is not listed or it will cause damage and trouble. This product is precision machinery. Do not apply excessive force or disassemble.
- Refer to the manufacturer service manual when installation.
- By installing this product, output characteristic is different from normal. Please enhance the brake to match the power and improve steering stability. Please be careful of riding.
- Do not spark the plug outside of cylinder for spark check. It might cause of fire.

SPEC	<p>This product is setting tool adjusting fuel injection when tuning FI model. Must item for FI (fuel injection) model tuning.</p> <p>○ EASY TO CHANGE RECOMMEND FUEL CONTROL MAP BY SWITCH By changing i-map DIP switch, recommended fuel control map with Kitaco tuning parts is selectable.</p> <p>○ REV LIMITER CANCELLER INSTALLED ※ This is additional functions for adjust amount of fuel injection. It might not rev up to limiter area without high tuning.</p> <p>※ It can cancel the limiter with fuel injection cut. It cannot cancel ignition cut.</p> <p>○ USER ORIGINAL MAP RANGE Connect option product "PC interface cable" to computer and use "Fuel manager"* enable to set up ±40%* compensation value for each rev and accelerator opening.</p> <p>※ Fuel Manager i-map specified read and write fuel control map software. It can download from KitacoWeb site.</p> <p>※ ±40% compensation Depending on rev and acceleration opening, stock injection time is long, it might cause of unable to increase till +40%. (For safety, controlled not to "keep blowing".)</p>
-------------	---

i-map ATTENTION (MUST READ)	<p>▼ For installing and using injection controller</p> <ul style="list-style-type: none"> ● If installed to normal vehicle, it might be unable to perform perfectly because of lack of power. Kitaco products combination map is already pre-installed to i-Map. However, it might need to fuel control setting for yourself if the combination is not Kitaco products (exhaust, camshaft, air cleaner, etc.) ● Do not install near strong noise such as ignition coil, it causes of malfunction, trouble, etc. ● This product works under electrical system is normal. There is no guarantee of work under other special parts installed vehicle. (spark plug, plug cap, high tension code, ignition coil, HID, audio products, etc) ● This product (DIP switch, etc) is not perfectly waterproof. Water might enter if riding under rain, washing, concentrated water. Install where can avoid rain, etc. ● Please do wiring process as following attached wiring illustration. Do not take electrical ground from not specified place, it might cause of break machine. ● This product is precision equipment. If installing to hard vibration place, it causes of inability to perform as intended and at the worst case, it might break. If mounting beside of engine, it might malfunction by heat and vibration. ※ Malfunction by heat and vibration is out of warranty. Be careful of it. ● Do not disassemble this product. It might cause of malfunction and break.
------------------------------------	--

OPTION PARTS			
PC INTERFACE CABLE	763-0500900	×1	

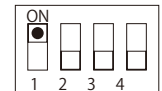
PACKING LIST				
NAME	CODE	QTY	REMARK	
INJECTION CONTROLLER (i-map)	MONKEY125 (JB02)	763-1300201	x1	
BULLET CA104	(MALE)	755-0900610	x3	Assembled.
SLEEVE P-2.5	(MAKE / ROUND)	755-0900640	x3	
O2 SENSOR FEEDBACK CANCELLER	H-001	763-9011001	x1	
COUPLER ON HARNESS KIT	(JB02)	763-1300202	x1	
TIE BAND	100x2.5mm	700-9200100	x4	
TIE BAND	152x3.5mm	700-9200152	x4	
URETHANE	175x135xT20mm	02-1000008	x1	anti-vibration

HOW TO INSTALL

- ※ Refer to the manufacturer service manual when installation.
- 1 Turn main switch OFF. Remove battery (-) terminal. If power is on, it might cause of trouble and accident.
- 2 Refer to the service manual, remove outer cowls not to break cover claw.
- 3 Remove each sensor connector to interruptly insert the harness KIT. [Refer to the wiring on No,2]
- 4 Install harness KIT. [Refer to the wiring]
- ※ Avoid forcibly wiring, extreme interface and biting to other parts.
- 5 Connect harness KIT interruptly to removed connector. [Refer to the wiring on No,2]
- ※ Install i-Map main unit and O2 sensor feed back canceller to anti-vibration and drip-proof place. (Please use sponge, etc to anti-vibration.)
- 6 Set up MAP by i-Map main unit dip switch.
- 7 Check each connector connection. Install battery terminal and make sure to work correctly. Then install outer cowls.

MAP SETTING

DIP SWITCH



ON
OFF

Set up MAP by DIP switch No.1~4.

HOW TO REWRITE USER SETTING MAP

- Connect PC interface cable to controller (i-map) main unit, then connect to computer.
- Operate software (i-map/Fuel-manager) and edit MAP.
- ※ Download software [i-map • Fuel-manager] from Kitaco website (<https://www.kitaco.co.jp>) download service.
- After editing, remove PC interface cable and re-install it.

		*The number of rev limit does not mean to rise.			
16map	Application : MONKEY 125 (JB02) Ver,1.0	DIP SWITCH ON●			
MAP	SPEC	1	2	3	4
1	REV LIMIT 10500rpm NO COMPENSATION MAP	-	-	-	-
2	REV LIMIT 10500rpm STOCK INJ* + HIGH COMPRESSION + T1 CAMSHAFT + STOCK AIR CLEANER + SWORD DOWN MUFFLER	-	-	-	●
3	REV LIMIT 10500rpm STOCK INJ* + HIGH COMPRESSION + T1 CAMSHAFT + UNI FILTER + SWORD DOWN MUFFLER	-	-	●	-
4	REV LIMIT 10500rpm INJ*x1.6 + LIGHT 164cc + T2 CAMSHAFT + STOCK AIR CLEANER + SWORD DOWN MUFFLER	-	-	●	●
5	REV LIMIT 10500rpm INJ*x1.6 + LIGHT 164cc + T2 CAMSHAFT + UNI FILTER + SWORD DOWN MUFFLER	-	●	-	-
6	※ MAP-5 PLUS FUEL CONTROL COMPENSATION [+ COMPENSATION A]	-	●	-	●
7	※ MAP-5 PLUS FUEL CONTROL COMPENSATION [+ COMPENSATION B]	-	●	●	-
8	REV LIMIT 10500rpm INJ*x1.6 + LIGHT 181cc + T2 CAMSHAFT + STOCK AIR CLEANER + SWORD DOWN MUFFLER	-	●	●	●
		* INJ*x1.6 : INJECTOR x (INJECTION AMOUNT 1.6times)			

▼MAP-9~16 are on No,2

i-map COUPLER ON SET No.2/2

商品コード (i-map + FEEDBACK CANCELLER) 763-1300200
 適合車種 モンキー 125 (JB02)

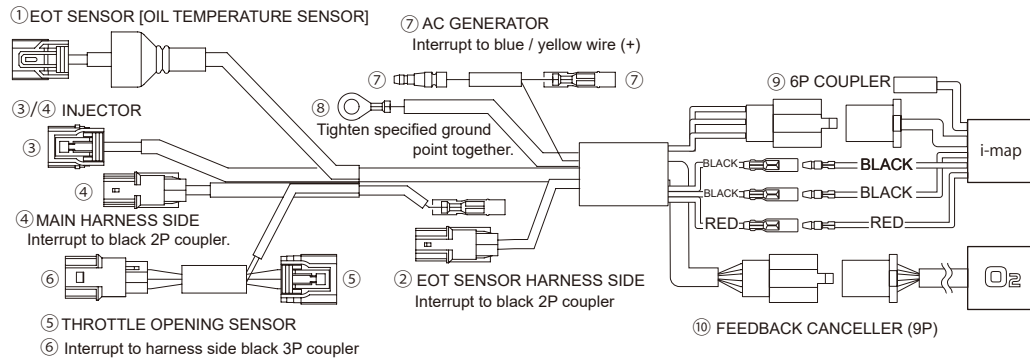
▲MAP-1~8 are on No.1

*The number of rev limit does not mean to rise.

16map MAP	Application : MONKEY 125 (JB02) Ver,1.0 SPEC	DIP SWITCH ON●			
		1	2	3	4
9	REV LIMIT 10500rpm INJ*x1.6+ LIGHT 181cc + T2 CAMSHAFT + UNI FILTER + SWORD DOWN MUFFLER	●	-	-	-
10	※ MAP-9 PLUS FUEL CONTROL COMPENSATION [+ COMPENSATION A]	●	-	-	●
11	※ MAP-9 PLUS FUEL CONTROL COMPENSATION [+ COMPENSATION B]	●	-	●	-
12	REV LIMIT 11000rpm INJ*x1.6 + NEO164cc + THROTTLE BODY 34mm + SWORD DOWN MUFFLER	●	-	●	●
13	REV LIMIT 11000rpm INJ*x1.6 + NEO181cc + THROTTLE BODY 34mm + SWORD DOWN MUFFLER	●	●	-	-
14	REV LIMIT 11000rpm INJ*x1.9 + DOHC181cc + THROTTLE BODY 34mm + SWORD DOWN MUFFLER	●	●	-	●
15	※ MAP-14 PLUS FUEL CONTROL COMPENSATION [+ COMPENSATION]	●	●	●	-
16	USER SETTING MAP SECTION	●	●	●	●

* INJ*x1.6 : INJECTOR x (INJECTION AMOUNT 1.6times)

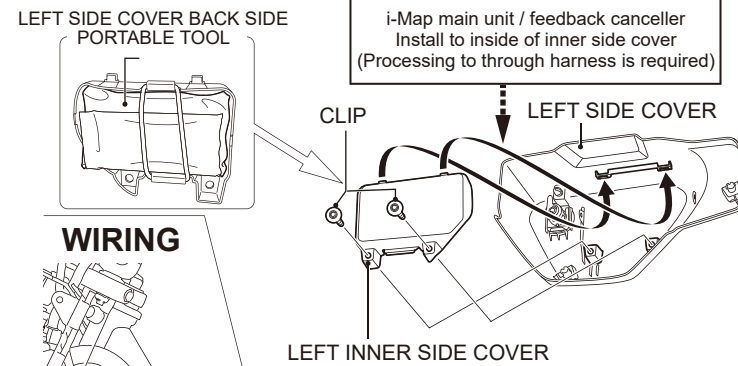
WIRING *Must to wrap vinyl tape, etc to connecting spot to waterproof treatment.



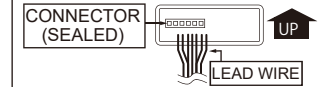
- | | |
|---|---|
| ① Connect to EOT [oil temperature sensor] on the side of cylinder. | ⑥ Connect to the harness 3P black coupler that connected to throttle opening sensor. |
| ② Connect to 2P black coupler that connected to stock main harness side EOT sensor. | ⑦ Interrupt to AC generator connector terminal : blue / yellow wire (+) inside connector boots. |
| ③ Connect to injector. (2P black coupler) | ⑧ Tighten with specified frame ground point together. |
| ④ Connect to 2P black coupler that connected to stock main harness side injector. | ⑨ Connect to i-Map. |
| ⑤ Connect to throttle opening sensor 3P coupler. | ⑩ Connect to feedback canceller. |

ATTENTION!

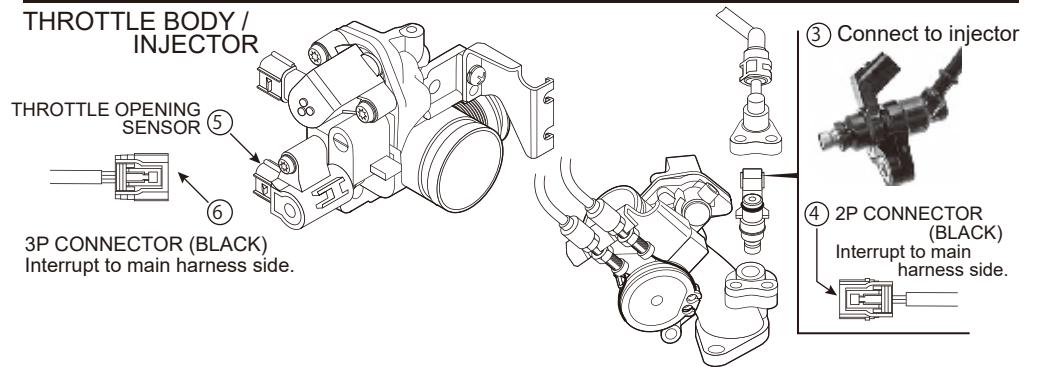
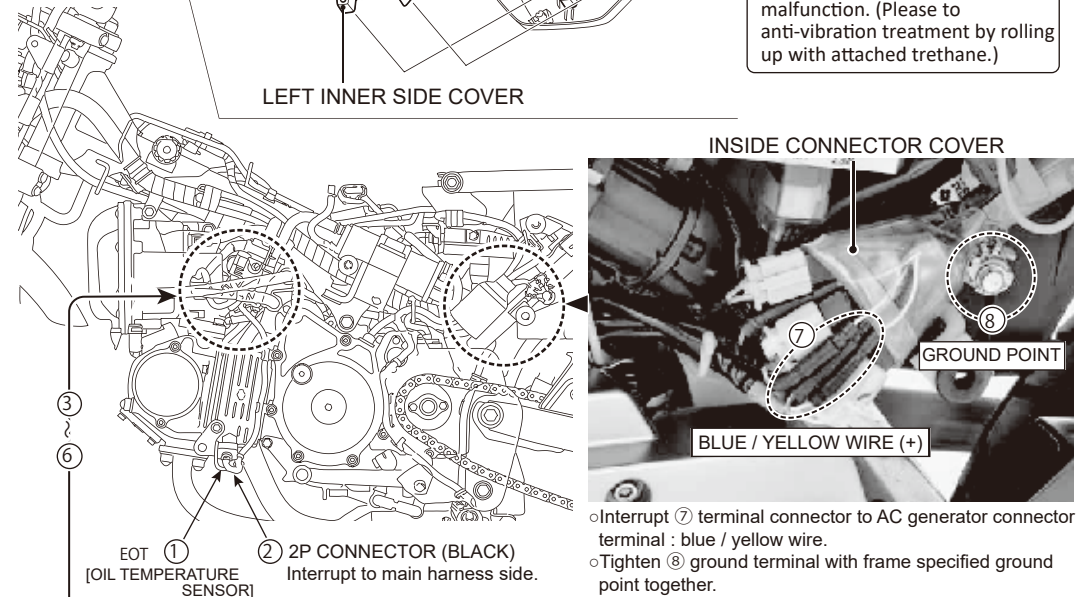
Check again the wiring before turning ignition key "ON". After finishing i-map wiring, check the wiring again before ignition key power "ON". If the power on with wiring mistake, warning LED lamp (PGM-FI warning lamp) is on. Also, it might cause of breaking this product and ECU (engine control unit). Be careful of it.



INSTALL FEEDBACK CANCELLER



- Do not remove connector sealing.
- Install canceller avoiding vibration and noise prevent from malfunction. (Please to anti-vibration treatment by rolling up with attached trethane.)



TROUBLE SHOOTING

EX	Refer to the service manual for disconnection signal, etc error.
CAUSE	Main reasons of injector anomaly detection is missing coupler, disconnection, breaking injector, etc
HOW TO DEAL WITH	oRefer to the service manual to check. oIf there is a trouble not only the injector but also other places, remove i-map and put back to stock condition for check. HOW TO PUT BACK TO STOCK CONDITION 1) Remove 110type 6P coupler and power supply harness (red, black) that connect to i-map. 2) Interrupt harness KIT coupler back. Therefore put it back to stock wiring.

221226 M-T