

KILL & ELECTRIC STARTER SWITCH

CODE	756-1432200	756-1443200
APPLICATION	GROM (JC61/75/92)	GROM /GROM5 (HRC RACE BASE MODEL)
REMARK	Making hole mods on handle bar might be required.	

Thank you for purchasing Kitaco Product. Read and understand the instruction before installing.

ATTENTION (MUST READ)

Refer to the manufacturer HONDA service manual when installation.

We are not responsible for violation of law or damages and accidents caused by assembling mistake and improper setting.

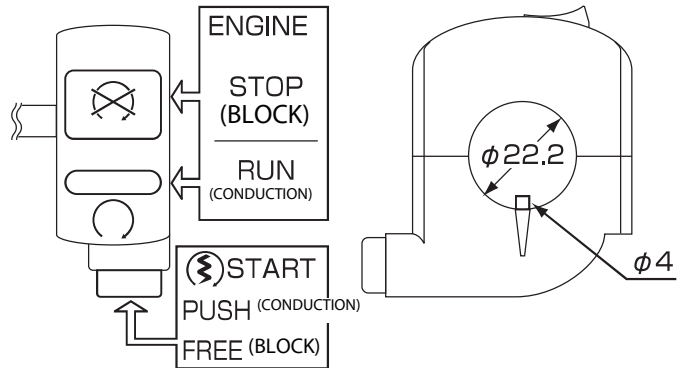
Do not modify the way which is not listed or it will cause damage and trouble.

Ask a specialist at specialty shop if you do not understand the role of the surrounding parts.

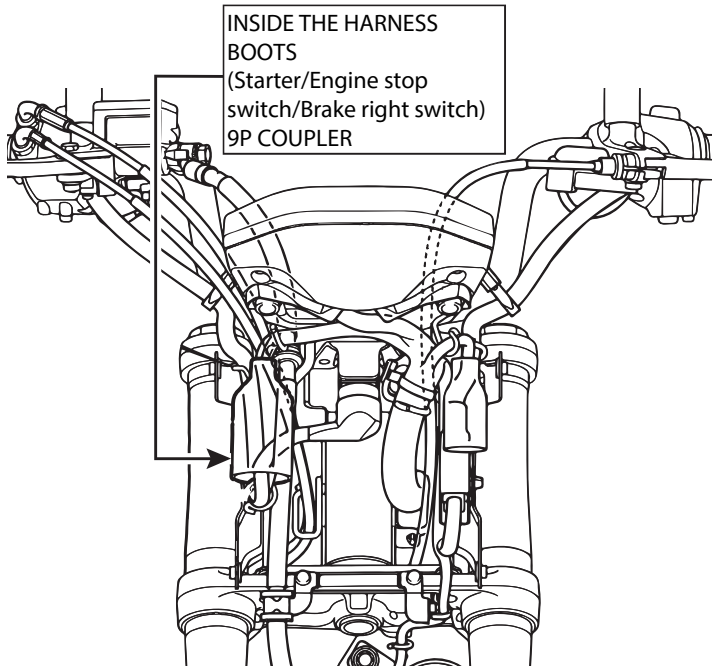
Please check and make sure each part of bolts and nuts are not loose before running.

Metal/resin products get discolored/rust for ages as well as how to use.

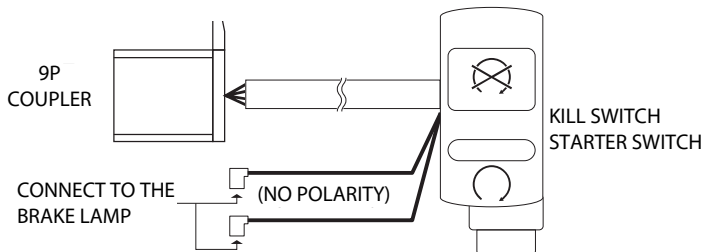
OPERATION/CONDUCTION



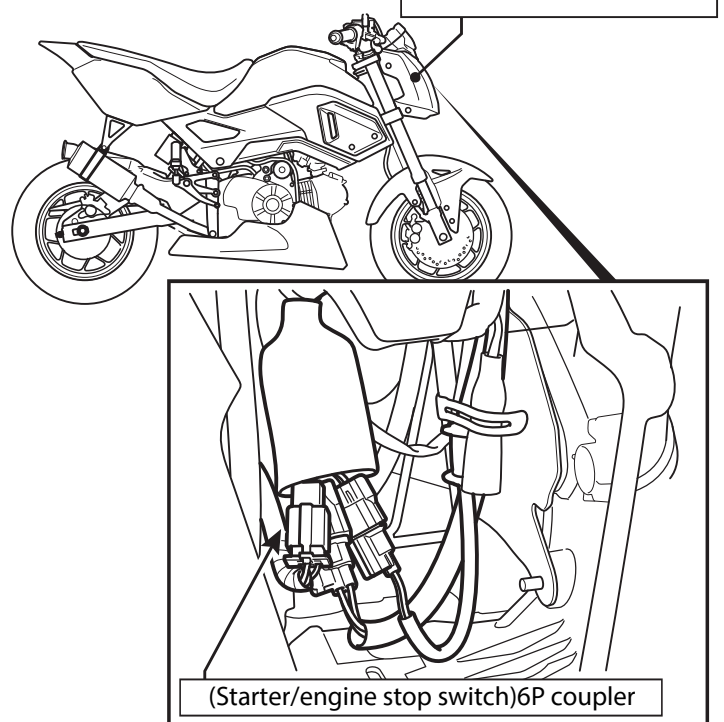
GROM (JC61/75/92)



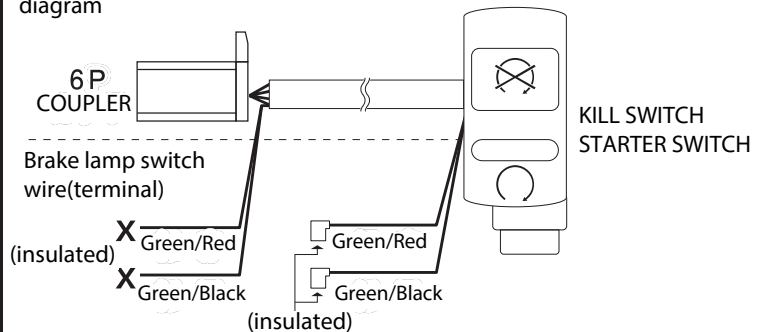
WIRING DIAGRAM GROM(JC61/75/92)



GROM RACE BASE HRC



Wiring diagram GROM RACE BASE HRC



You do not use brake lamp switch wire.
(Be insulated by vinyl tape)

210630 Y-H