

OPTION PANEL (OPTION PARTS FOR CRANK SHAFT ASSEMBLE TOOL)

CODE : 674-1432710

APPLICATION : GROM (JC61/75) / MONKEY 125 (JB02)

ATTENTION! : This is support tool for CRANK SHAFT ASSEMBLE TOOL (code : 674-1432700).

There is a range of terms of use so please refer to the usage and terms of use below.

- Thank you for purchasing Kitaco product. Read and understand the instruction before installing.

ATTENTION (MUST READ)

- This is support tool for specified tool for pull crank shaft up to R crank case and bearing inner lace.
- This product is designed and made exclusive for application vehicles, do not use other models. Do not modify the way which is not listed or it will cause damage and trouble.
- We are not responsible for violation of law or damages and accidents caused by assembling mistake and improper setting.
- Please ask authorized mechanic for assembling and setting. Ask a specialist at specialty shop if you do not understand the role of the surrounding parts.
- Refer to the manufacturer service manual when installation.
- Bolts and nuts may get loosen by engine vibration. Make sure not to loosen any bolts and nuts before driving.
- ※ Metal/resin products get discolored/rust for ages as well as how to use. Please understand when using.

HOW TO USE OPTION PANEL

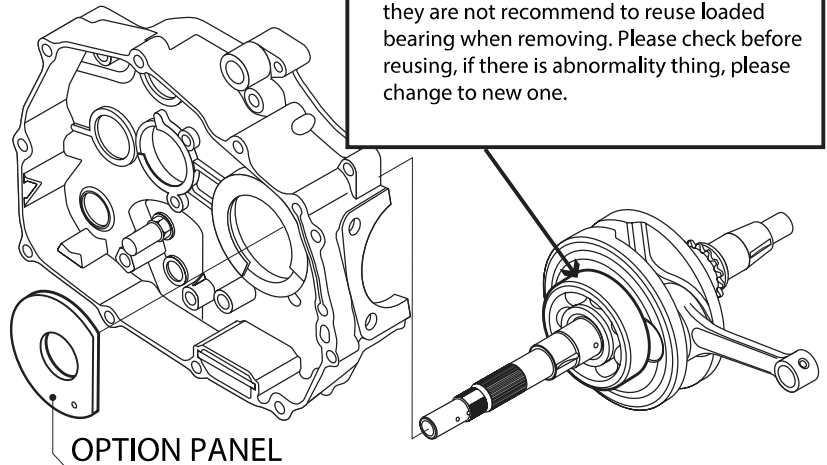
When pulling up crank shaft ASSY to crank case by using crank shaft assemble tool (sold separately), it makes it possible to do while bearing is left.

【ATTENTION!】 TERMS OF USE

This product is acceptable in case bearing is press fit to crank shaft.

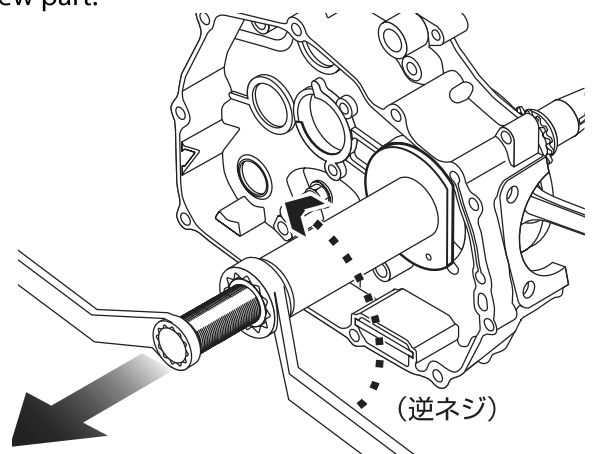
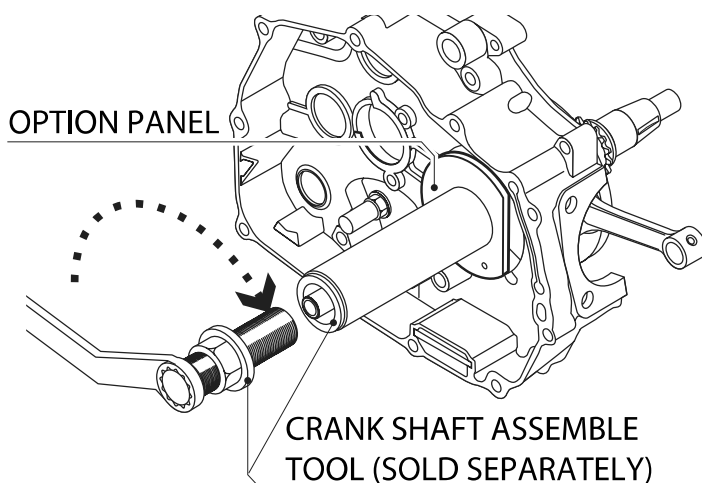
BEARING PRESS FITTED CRANK SHAFT

※ According to manufacturer service manual, they are not recommend to reuse loaded bearing when removing. Please check before reusing, if there is abnormality thing, please change to new one.



- 1) Place option panel and crank shaft assemble tool (sold separately) to crank case shaft, then tighten to crank shaft screw place (CW screw).

- 2) Rotate nut to pull crank shaft to R crank case and inner lace while holding specified tool screw part.



HOW TO KEEP AND TAKE CARE

Rust might occur according to the environment (high humidity, etc). When using and keeping, please apply anti rust, etc.

170825 Y-H

〒 577-0015
3-8-13 NAGATA, HIGASHI-
OSAKA, OSAKA, JAPAN

KITACO
株式会社 キタコ