

RADIATOR SCREEN

CODE : 660-0200100

APPLICATION : N-MAX125 (2DS2)

●Thank you for purchasing Kitaco product. Read and understand the instruction before installing.

ATTENTION (MUST READ)

- This instruction sheet is for the instruction for stock condition.
- This product is dress-up for installing radiator. Do not use for other purposes.
- This product is designed and made exclusive for application model, do not use other models. Do not modify the way which is not listed or it will cause damage and trouble.
- We are not responsible for violation of law or damages and accidents caused by assembling mistake and improper setting.
- Please ask authorized mechanic for assembling and setting.
- Refer to the manufacturer service manual when installation.
- Bolts and nuts may get loosen by engine vibration. Make sure not to loosen any bolts and nuts before driving.

PACKING LIST

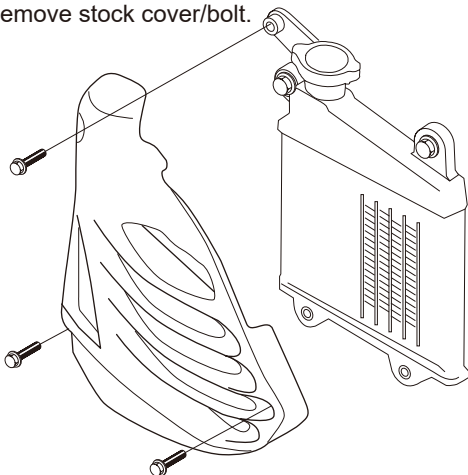
FIGURE	NAME	CODE	QTY
1	RADIATOR SCREEN	-	× 1
2	ALUMINUM COLLAR 13 × 6.2 × L30	0900-093-00044	× 3
3	BUTTON CAP BOLT M6 × 40	060-0602040	× 3

HOW TO INSTALL

1) Removing stock parts.

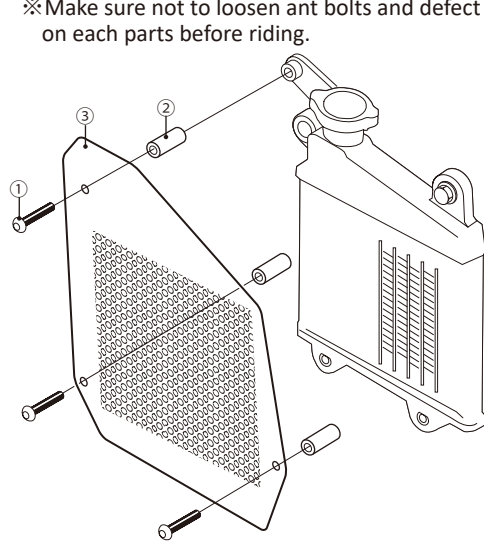
- Remove stock radiator cover.
(Refer to the illustration.)

Remove stock cover/bolt.



2) Installing radiator screen.

- Install Kitaco parts to stock cover installation bolt position.
- ※Make sure not to loosen ant bolts and defect on each parts before riding.



160929 Y-H


株式会社 北工

3-8-13 NAGATA,
HIGASHI-OSAKA,
OSAKA, JAPAN