

NEW POWER STAND II HS-165	
CODE	656-1010165
APPLICATION	SUPER CUB 50 (AA04 / 09) / 110 (JA10 / 44)
REMARK	Chinese model '12~ : 50 (AA04) / 110 (JA10) / Japanese model '18~ : 50 (AA09) / 110 (JA44)

Thank you for purchasing Kitaco product. Read and understand the instruction before installing.

ATTENTION (MUST READ)

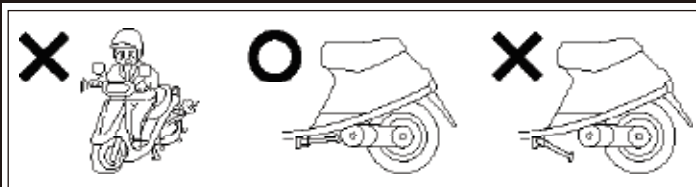
- ▲ Pay attention to below to install side stand. Assembling mistake and improper setting may cause of trouble and accident.
- We are not responsible for violation of law or damages and accidents caused by assembling mistake and improper setting.
- Please ask authorized mechanic for assembling and setting. Ask a specialist at specialty shop if you do not understand the role of the surrounding parts.
- This product is designed and made exclusive for application models, do not use other models.
- The vehicle height is changed because of changing rear shock, etc may cause of falling because of stand degree. Please install with stock condition.
- After installation, move side stand back and forth, check the storage position and position to stable vehicle.
- Do not shake or jump on the vehicle with using side stand. It might cause of breaking side stand, surrounding parts and accident.
- Do not over weight. It causes of falling.
- Bolts and nuts may get loosen by engine vibration. Make sure not to loosen any bolts and nuts before driving.
- Please give this instruction sheet when you sell to someone.



This instruction sheet is for who has basic maintenance knowledge. Do not operate if you do not have any skills and knowledge.



Do not modify the way which is not listed or it will cause damage and trouble.



Do not start engine with using side stand. It might cause of jump out the vehicle and falling. Please storage side stand before riding.



Do not use side stand on soft mud, bumpy road, etc. Check the side stand on the flat hard road to not falling before using side stand.

⊘ Do not over weight to carrier. It might cause of break.
LOADING LIMIT : TOTAL 6KG (FRONT 3KG / REAR 3KG)

⊘ Do not use side stand for delivery.

! Do not apply excessive force to this product as lifting vehicle, etc. When turning vehicle, please use as support.
When loading down from front or rear carrier, please use center stand.

ILLUSTRATION I

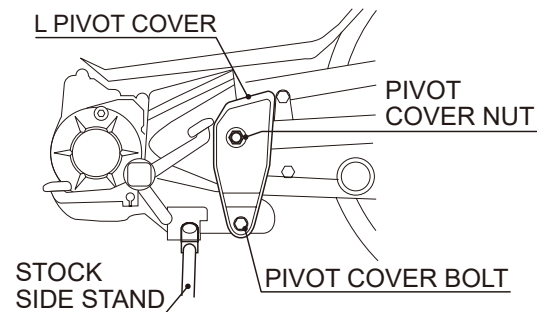
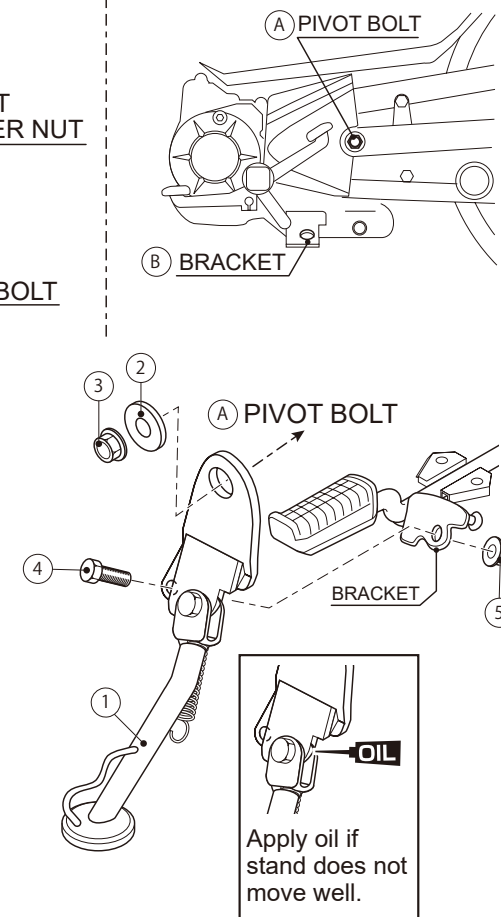


ILLUSTRATION II



HOW TO INSTALL

*When installing side stand, please use center stand.

- 1) Remove stock side stand and L side pivot cover.
- 2) Install side stand plate with ② washer and ③ flange nut (10mm) temporarily to A) swing arm pivot bolt position. (At this time, press until pivot bolt side base nut.)
- 3) Install ④ M12 bolt and ⑤ U nut (12mm) to B) side stand bracket temporarily.
- 4) Tighten (A / B) bolt and nut alternately evenly.



231025
3-8-13 NAGATA,
HIGASHI-OSAKA,
OSAKA, JAPAN
<https://www.kitaco.co.jp/>