

HANDLE BRACE

CODE	(SILVER) 619-9001900	(GOLD) 619-9001910	(BLACK) 619-9001920
APPLICATION	φ 22.2 HANDLE BAR (Adjustable range : about 175 ~ 225mm)		
CODE	(SILVER) 619-9002900	(GOLD) 619-9002910	(BLACK) 619-9002920
APPLICATION	φ 22.2 HANDLE BAR (Adjustable range : about 140 ~ 174mm)		

● Thank you for purchasing Kitaco product. Read and understand the instruction before installing.

ATTENTIONS (MUST READ)

- Do not modify the way which is not listed or it will cause damage and trouble.
- We are not responsible for violation of law or damages and accidents caused by assembling mistake and improper setting.
- Please ask authorized mechanic for assembling and setting. Ask a specialist at specialty shop if you do not understand the role of the surrounding parts.
- Refer to the manufacturer service manual when installation.
- Make sure there is no bolt/nut/ left or loosen before driving.
- Alumite product get discolored/rust for ages as well as using.

HOW TO INSTALL

● Adjust the length adjustable range of the brace confirming with the shape of the handle. (The way to adjust is screw type.
Be careful of direction of rotation that positive/reverse screw is depending on right/left)

(ATTENTION 1: If you rotate center bar by tool, please protect hexagon/octagon part by masking tape etc. Refer to the described below)

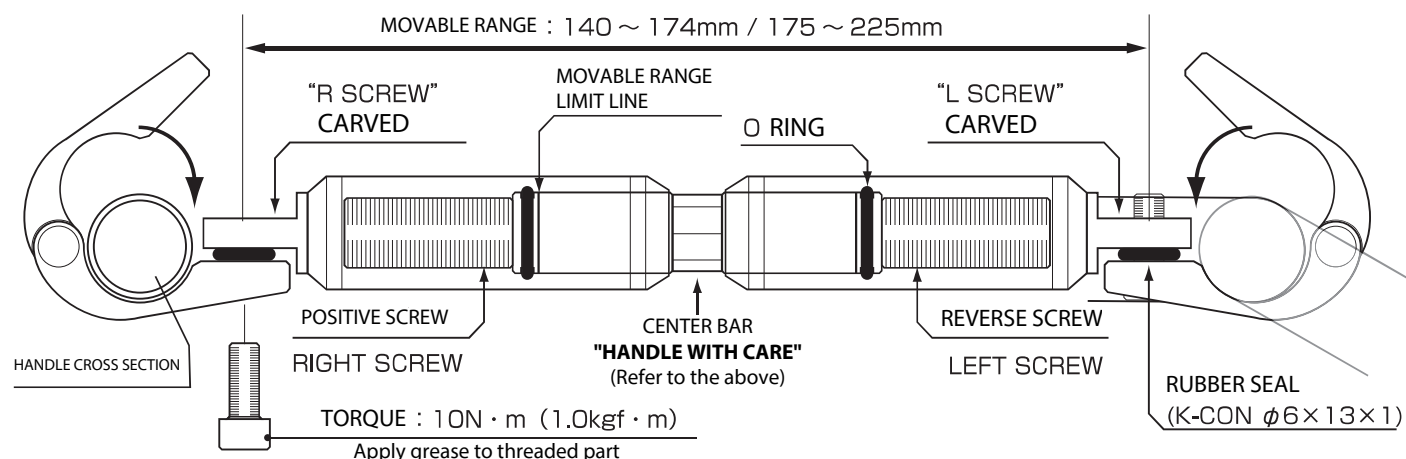
- Do not install out of the adjustable range. (Do not rotate over the movable limit line)
- After adjust the length, install to the handle with right/left clamp.
- ※ If you notice that it blocks handle work, please refrain from using.

● Finally, if there is rattling on brace, rotate the center bar a little to adjust.

(ATTENTION 2: Do not rotate center bar more than necessary. Refer to the described below)

ATTENTIONS:HOW TO HANDLE THE CENTER BAR

1. Due to the aluminum characteristic, tightening by tool may make scratch and dent, please protect this product by using masking tape, etc before using tool.
2. Tightening the center bar too much will cause the threaded part get stuck, so please rotate a little. (Be careful that center bar rotates endlessly.)



ATTENTION!

Do not apply load to block the handing. It cause damage and accident.