

CUSTOM SEAT

APPLICATION : CT125 HUNTER CUB (JA55)

CODE : 610-1470050

Thank you for purchasing Kitaco product. Read and understand the instruction before installing.

ATTENTION (MUST READ)

- This product is designed and made exclusive for application vehicles, do not use other models. Do not modify the way which is not listed or it will cause damage and trouble.
- Please ask authorized mechanic for assembling and setting. Ask a specialist at specialty shop if you do not understand the role of the surrounding parts.
- Please ask authorized mechanic for assembling and setting.
- Bolts and nuts may get loosen by engine vibration. Make sure not to loosen any bolts and nuts before driving.

ATTENTION!

- By installing this seat, the sitting position is different from genuine seat. Be careful of riding until get used to it.
- This product is not perfectly water proof. Under raining for a long time, etc., might cause of enter ester from stitch. Be careful of it.
- Direct sunlight and long time use may cause of discolored. Please understand before using.
- FLAMMABLE : Do not use near fire.

HOW TO TAKE CARE

- Wash by scrubbing blush or scouring powder might cause of scratch.
When dirt stand out, wipe it with tightly wrung cloth.
This product may get discolored depending on detergent type. When using detergent, try at inconspicuous place first.

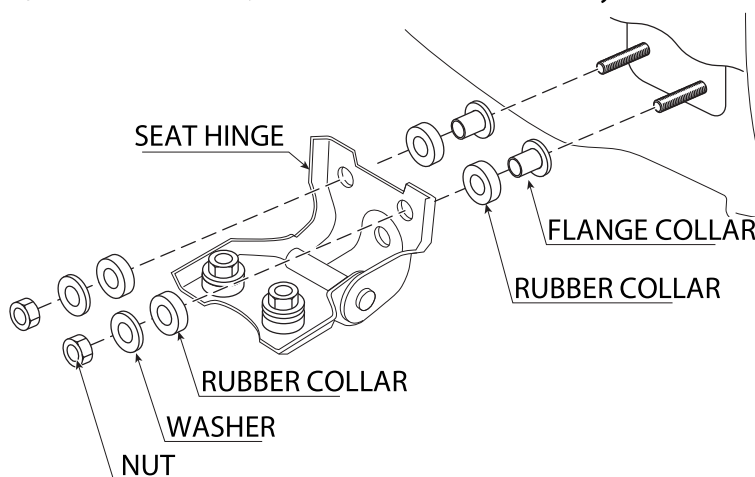
HOW TO INSTALL

※If there is a hard degradation like a blem, fatigue and wear etc on the reuse parts, please change to new ones.

- 1) Remove installation nut from genuine seat, then remove seat with not to fall collar, etc.
- 2) Install custom seat with genuine nuts as shown on illustration below. (Be careful not to sandwich rubber collar.)
- 3) Tighten temporarily to seat hinge part as shown on illustration with genuine bolts.

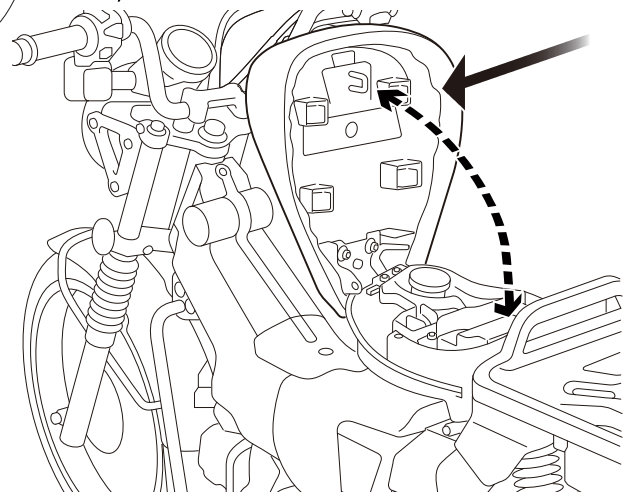
※Tighten bolts alternately evenly.

- 5) After installation, make sure not to loosen any bolts.



REMARK : SEAT LOCK

Depending on tolerance, it might be difficult to open/close seat or lock, close seat with applying force to left (arrow) direction, it eases to close seat. (The direction of apply force is not exclusive for left, check the other directions.)



220518 M-T