

# MAINTENANCE CHAIR BRACKET

APPLICATION : MONKEY 125(JB02/03) STOCK SEAT

CODE : 610-1300920

REMARK Stock seat (sold separately) is required.

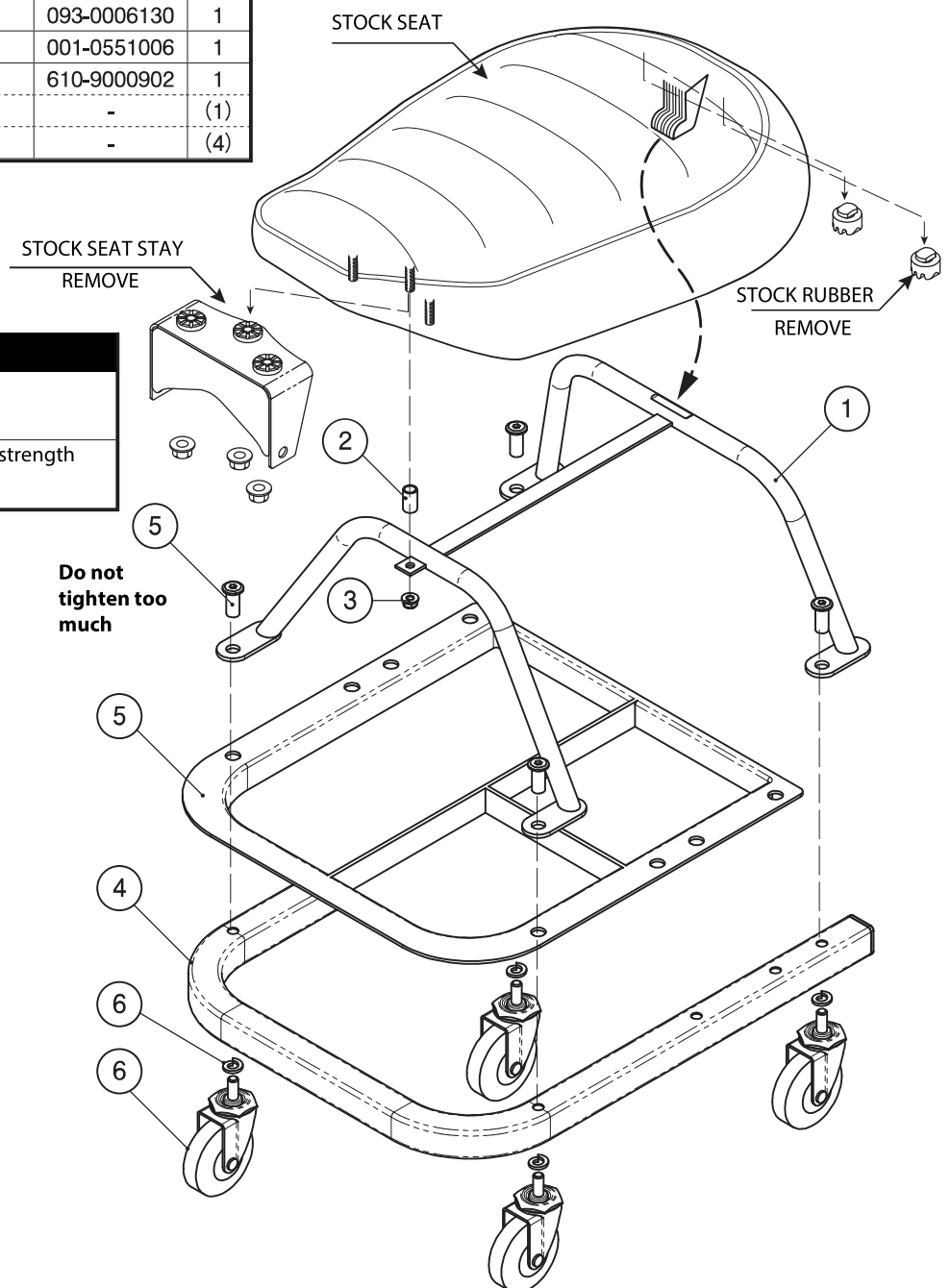
● Thank you for purchasing Kitaco product. Read and understand the instruction before installing.

## ATTENTIONS (MUST READ)

- MAINTENANCE CHAIR BRACKET is bracket for maintenance chair.
- MAINTENANCE CHAIR BRACKET is designed and made exclusive for MONKEY 125(JB02/03),do not use on other model's seat .
- We are not responsible for violation of law or damages and accidents caused by assembling mistake and improper setting.
- Please ask authorized mechanic for assembling and setting. Ask a mechanic or a specialist at a specialty shop for assembling and setting if you do not understand the role of the surrounding parts.
- Refer to the HONDA service manual for each vehicle when disassembling.
- Bolts and nuts may get loosen by engine vibration. Make sure to check that each part of bolts and nuts are not loose before running.

### PACKING LIST

FIG	PARTS NAME	CODE	QTY
1	BRACKET	610-1300901	1
2	COLLAR 6.2x7.8xL13	093-0006130	1
3	FLANGE NUT 6mm	001-0551006	1
4	CREEPER (RED)	610-9000902	1
5	TRAY	-	(1)
6	CASTER SET	-	(4)



### ATTENTION

- ⊘ Do not put heavy things on the tray.
- ⚠ Not for people who have 80kg or more for strength reason.

Do not tighten too much

220604 M-T

**KITACO**  
株式会社キタコ

3-8-13 HIGASHI-  
OSAKA, OSAKA,  
577-0015 JAPAN