

# SEAT POCKET

CODE : 606-0000010 ~ 0000080 (OSS-ZH-07769400 ~ 07776200)

●Thank you for purchasing Kitaco product. Read and understand the instruction before installing.

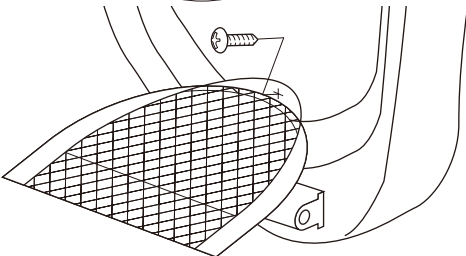
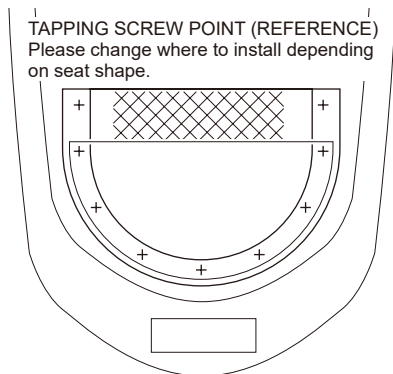
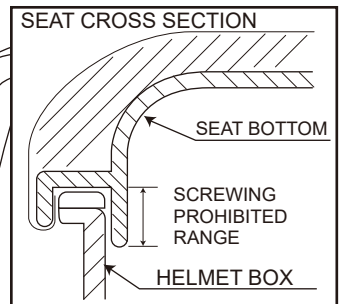
## ATTENTION (MUST READ)

- By installing this product to seat above the helmet box, it might be unable to storage helmet depending on its shape (full face, etc). Be careful of it.
- Do not modify the way which is not listed or it will cause damage and trouble.
- We are not responsible for violation of law or damages and accidents caused by assembling mistake and improper setting.
- Please ask authorized mechanic for assembling and setting.
- Refer to the manufacturer service manual when installation.
- Bolts, strings, etc may get loosen by engine vibration. Make sure not to loosen any bolts and nuts before driving.

HOW TO INSTALL : Install back side of seat above helmet box with attached tapping screw.

### ATTENTION!

- Make sure to open/close seat by placing this product before installation. Depending on where to install, tapping screw might penetrate and unable to open/close. (Refer to the seat cross section)
- Removing seat ease to installation.
- Making hole smaller than 2mm to tapping screw point ease to tightening.
- It may get discolored for ages. Please understand before installation.
- FLAMMABLE : Do not use with fire.
- Do not over weight. It may cause of break. (WEIGHT LIMIT : 1.0kg)



- NET TYPE POCKET 1
- POCKET 2
- POCKET WITH ZIPPER

PACKING LIST		
NAME	CODE	QTY
TAPPING SCREW M4x8	046-0595008	× 10

100927



3-8-13 NAGATA,  
HIGASHI-OSAKA,  
OSAKA, JAPAN