

| KNUCKLE GUARD | |
|---------------|-------------------------------|
| CODE | 566-1432000 |
| APPLICATION | ZOOMER-X (JF52) / GROM (JC61) |

Read and understand the instruction before installing. Please keep the instruction for later needs.

ATTENTIONS (MUST READ)

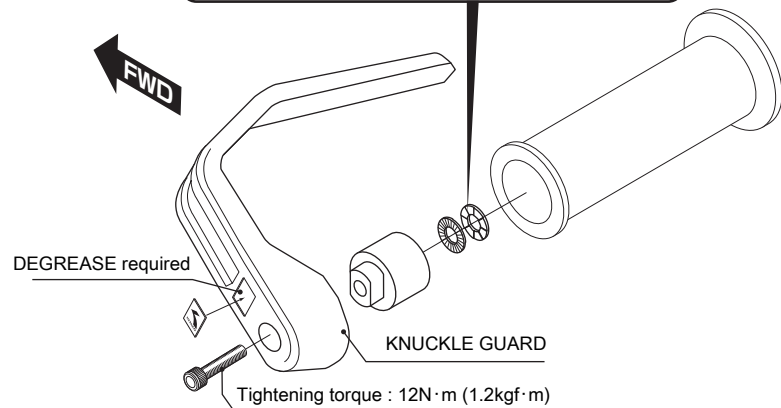
- This instruction sheet is for the instruction with stock condition.
 - KNUCKLE GUARD is designed and made exclusive for GROM, do not use on other models. Do not modify the way which is not listed or it will cause damage and trouble.
 - We are not responsible for damages and accidents caused by assembling mistake and improper setting.
 - Please ask mechanic for assembling and setting.
- Ask a specialist at specialty shop if you do not understand the role of the surrounding parts.
- Refer to the manufacturer HONDA service manual when installation
 - Bolts and nuts may get loosen by engine vibration.
- Please check and make sure each part of bolts and nuts are not loose before running.
- Please contact a mechanic nearby immediately when you find something unusual.
 - ✕ Metal and resin products get rusty and fluctuate in intensity, depending on how to use and how long you use.

KNUCKLE GUARD tends to be tarnishable, across the ages.

| PACKING LIST | | | | |
|--------------|----------------------------|----------------|------|--------------------------------------|
| | NAME | CODE | QTY | REFERENCE |
| - | KNUCKLE GUARD | - | 2 | |
| - | LOGO PLATE | - | 2 | KITACO |
| - | STEP COLLAR | - | 2 | |
| - | NORD LOCK WASHER (WIDE M6) | 0900-090-11002 | 2SET | |
| - | CAP BOLT M6 × 60 | 060-0500060 | 2 | Tightening torque : 12N·m (1.2kgf·m) |

FACE THE CORRECT DIRECTION

Nord-lock washer should be set in a correct direction. See both sides for confirmation.



| KNUCKLE GUARD | |
|---------------|-------------------------------|
| CODE | 566-1432000 |
| APPLICATION | ZOOMER-X (JF52) / GROM (JC61) |

Read and understand the instruction before installing. Please keep the instruction for later needs.

ATTENTIONS (MUST READ)

- This instruction sheet is for the instruction with stock condition.
 - KNUCKLE GUARD is designed and made exclusive for GROM, do not use on other models. Do not modify the way which is not listed or it will cause damage and trouble.
 - We are not responsible for damages and accidents caused by assembling mistake and improper setting.
 - Please ask mechanic for assembling and setting.
- Ask a specialist at specialty shop if you do not understand the role of the surrounding parts.
- Refer to the manufacturer HONDA service manual when installation
 - Bolts and nuts may get loosen by engine vibration.
- Please check and make sure each part of bolts and nuts are not loose before running.
- Please contact a mechanic nearby immediately when you find something unusual.
 - ✕ Metal and resin products get rusty and fluctuate in intensity, depending on how to use and how long you use.

KNUCKLE GUARD tends to be tarnishable, across the ages.

| PACKING LIST | | | | |
|--------------|----------------------------|----------------|------|--------------------------------------|
| | NAME | CODE | QTY | REFERENCE |
| - | KNUCKLE GUARD | - | 2 | |
| - | LOGO PLATE | - | 2 | KITACO |
| - | STEP COLLAR | - | 2 | |
| - | NORD LOCK WASHER (WIDE M6) | 0900-090-11002 | 2SET | |
| - | CAP BOLT M6 × 60 | 060-0500060 | 2 | Tightening torque : 12N·m (1.2kgf·m) |

FACE THE CORRECT DIRECTION

Nord-lock washer should be set in a correct direction. See both sides for confirmation.

