

# GEARS SHOCK ABSORBER

APPLICATION : CT125 HUNTER CUB (JA55)

CODE : 520-1470100

REMARK: ● FREE LENGTH 362mm(SAME AS GENUINE) ● SOLD IN PAIRS ● ADJUST RANGE: -3~+4mm

Thank you for purchasing Kitaco product. Read and understand the instruction before installing.

## ATTENTIONS (MUST READ)

- This instruction sheet is for the instruction for genuine condition.
  - Please ask authorized mechanic for assembling and setting. Ask a specialist at specialty shop if you do not understand the role of the surrounding parts.
  - We are not responsible for violation of law or damages and accidents caused by assembling mistake and improper setting.
  - After the installation, the steering stability has changed compare to the normal rear shock, please drive safely.
  - Refer to the manufacturer service manual when installation.
  - Bolts and nuts may get loosen by engine vibration. Make sure not to loosen any bolts and nuts before driving.
  - Do not modify the way which is not listed or it will cause damage and trouble.
- ※Metal/resin products get discolored/rust for ages as well as how to use. Please understand when using.

## HOW TO INSTALL

※If there is a hard degradation like a blem, fatigue and wear etc on the reuse parts, please change to new ones.

1)Secure the motorcycle body,by placing the maintenance stand.

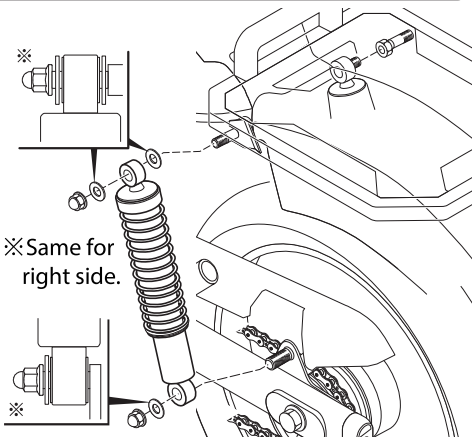
2)Remove the normal rear shock, then install the GEARS rear shock.

※Tighten UPPER/LOWER mounting bolt(nut) with designated torque.

○UPPER:44N·m(4.5kgf·m)/LOWER 30N·m(2.9kgf·m)

※When installing, please apply necessary amount of grease to the mounting bolts and bush of the vehicle side.

3)Adjust each part, making sure that the rear shock is stable before riding.



**UP**

Turn back the LOGO

⚠ About gas disposal valve

**ATTENTION! PROHIBITION OF DISASSEMBLY AND MODIFICATION(DON'T TOUCH)**  
You cannot change the oil amount and gas pressure of this product. Do not touch the gas disposal hexagon valve of the upper body. If you loosen the hexagon valve, the gas coming out and you cannot use again because of the deterioration of shock performance. Please be careful that we do not encapsulation of gas.

**ATTENTION! HOW TO DISPOSAL**  
In this shock, the high pressure gas is encapsulated. When it is to disposal, extract gas by gas disposal valve, then do a scrap processing. If you dispose without extract the gas, it may cause of explosion. The rear shock disposal is very dangerous, please ask to the maintenance shop, dismantler etc..

**ADJUSTING PRELOAD(NON-STEP)**  
Adjust the position of SPRING SEAT by using hook wrench, etc.,

**ADJUSTING REBOUND**  
(stretch side) DIAL (14 steps) [Using out of adjusting range is prohibited]

**ADJUSTING VEHICLE HEIGHT(NON-STEP)**  
Allowable adjusting range [Using out of the range is prohibited]  
\*From basic genuine length±(Depending on the vehicle type)

Adjust the length with turning lower side(screw part)  
※After the adjustment, fix with lock nut.

HOOK WRENCH (ATTACHED)  
For SPRING SEAT

SPANNER for HEIGHT ADJUSTMENT

↑ SOFT  
↓ HARD

↑ Slow down the rebound speed (slower return)  
↓ Speed up the rebound speed (faster return)

LOCK NUT※

## How to adjust the various points



- ※ Please park in a safe place to do adjustment.
- ※ Before adjustment, clean the dust, water, etc from adjustment place.
- ※ Too much re-tightening the adjustment dial may cause of hard wear and oil leak.

### ■ Preload adjustment(initial)

1)Loosen the set screw on the side of the preload adjust seat with hexagon wrench.

2)Apply silicone lubricant spray to protect the screw part of body. After the adjustment, please wipe it off.

3)Adjust by exclusive wrench to turn the preload adjusting seat. Turn to the right to make it hard, turn to the left to make it soft.

4)Finally, lightly tighten set screw(0.2~0.3kgf·m) to lock.

※Be careful not to break screw part because of too much tightening.

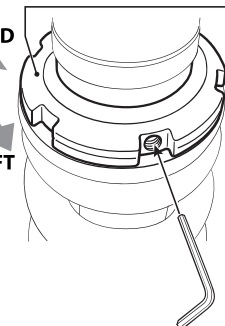
※The sag, the shrinkage amount while riding, compared to the one while it is jacked up. Around 1/3 of all stroke is roughly estimated.

※Yet, insure the 5mm of the sag when it is empty.

PRELOAD ADJUSTING SEAT

HARD

SOFT



### ■ HEIGHT ADJUSTMENT

• Please do adjustment that removed from vehicle.

1)Loosen the lock nut with turning to the left.

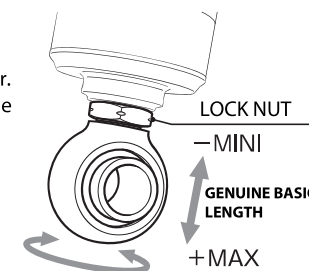
2)Turn the pillow ball part to the left to raise the height. Turn to the right to lower.

※Using out of the adjustable range is prohibited.(Please use the adjustable range below.)

3)After tightening the lock nut, install the rear shock to the vehicle.

※The lock nut for height adjustment may get loosen by engine vibration, make sure to tight it regularly.

● Adjustment range (for DAX) -3~+4mm (Genuine basic length:0)

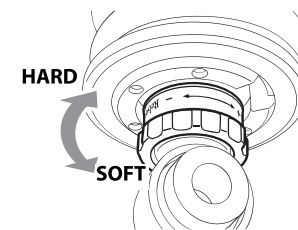


### ■ REBOUND ADJUSTMENT 14 STEPS

- Make the speed of stretching(rebound) suspension slower when riding.
- Adjust with dial.

● Turn to the (+)direction, for harder rebound (the speed of stretch side is slower).

● Turn to the (-)direction, for softer rebound (the speed of stretch side is faster).



### CHECK POINTS AFTER THE INSTALLATION

• After the installation, some oils come out a little on the shaft, but it is not oil leaking. It is grease that applied at the time of manufactured. If there is too much, wipe it off with soft cloth.

• Make sure not to loosen the all the bolts, nuts regularly.

If loosen, tighten the specified torque.

### AFTER MAINTENANCE



• Due to the structural principle of suspension, wear and oil deterioration progress in proportion to use. It is able to use longer with original performance for proper overhaul by specialist.

• Recommendation of overhaul pace(it is just a rough indication)

Once a year or every 5000km for street use

Once every season for racing use

製造元

**GEARS**  
MADE FOR SPEED

A&A

820 Noguchi, Kadoma-city, OSAKA, JAPAN

MAIL: info@gears-japan.com

販売元

**KITACO**  
株式会社

〒 577-0015

3-8-13 NAGATA, HIGASHI-OSAKA, OSAKA, JAPAN

210720 Y-H