

# BRAKE ADJUST NUT type-1

APPLICATION : SUPER CUB C125 (JA48), etc. ※Honda genuine 95015-42000 is compatible.

CODE : (RED) 516-9000120 (GOLD) 516-9000170 (GUNMETAL GRAY) 516-9000190

● Thank you for purchasing Kitaco product. Read and understand the instruction before installing.

## ATTENTION (MUST READ)

- This product is designed and made exclusive for application vehicles, do not use other models. Do not modify the way which is not listed or it will cause damage and trouble.
  - We are not responsible for violation of law or damages and accidents caused by assembling mistake and improper setting.
  - Please ask authorized mechanic for assembling and setting.
  - This instruction sheet is for the instruction for genuine condition. Refer to the manufacturer service manual when installation.
  - Bolts and nuts may get loosen by engine vibration. Make sure not to loosen any bolts and nuts before driving.
- ※ Metal/resin/alumite products get discolored/rust for ages as well as how to use. Please understand when using.

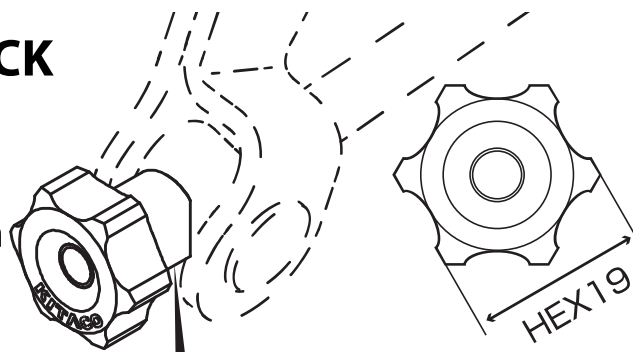
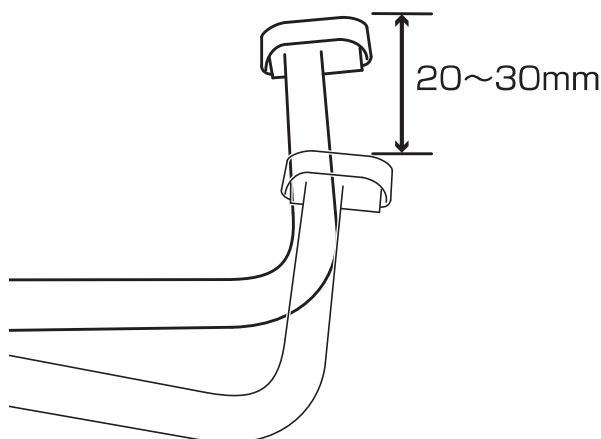
## HOW TO INSTALL AND ADJUST

- After installed brake adjuster, it is need to adjust brake pedal play. For adjusting, please refer to the owners manual or service manual for the model.

### ● REAR BRAKE PEDAL PLAY CHECK

Push the brake pedal by hand to feel the resistance to check the pedal point end play is specified acceptable range by scale, etc.

- REAR BRAKE PEDAL PLAY : 20~30mm



When adjusting play, match the adjuster concave to pin convex.

