

FRONT FORK CAP BOLT

CODE	(RED) 502-1001020	(GOLD) 502-1001070	(GUN METALLIC) 502-1001090
APPLICATION	MONKEY125 (JB02/03) / DAX 125 (JB04) / GROM (FNO,JC61-1300001 ~ /JC75/92)		

- Thank you for purchasing Kitaco product. Read and understand the instruction before installing.
- For installing this product, specified each tools and rubber seal SET may required.

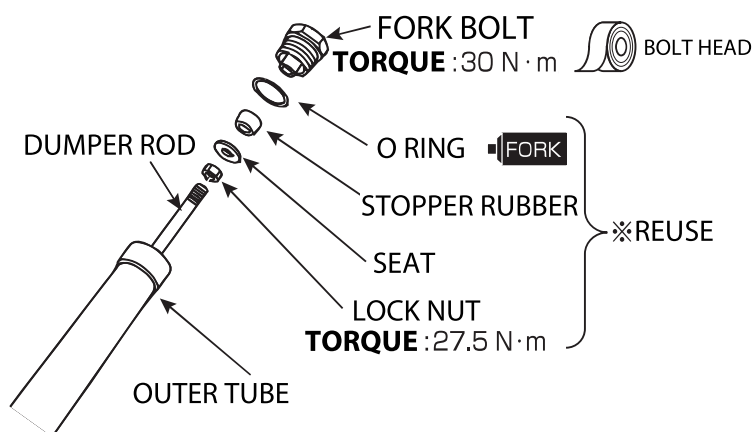
ATTENTION (MUST READ)

- Refer to the manufacturer service manual when installation.
- We are not responsible for violation of law or damages and accidents caused by assembling mistake and improper setting.
- Do not modify the way which is not listed or it will cause damage and trouble.
- Please ask authorized mechanic for assembling and setting.
- Bolts and nuts may get loosen by engine vibration. Make sure not to loosen any bolts and nuts before driving.
- This product is designed and made exclusive for application vehicles, do not use other models.
- ※ Metal/resin/alumite products get discolored/rust for ages as well as how to use. Please understand when using.



This instruction sheet is for the person who has basic knowledge for maintenance. Do not operate if you do not have skill and knowledge.

※If there is a hard degradation like a blem, fatigue and wear etc on the reuse parts, please change to new ones.



Apply fork oil.



Protect by masking tape when installing / removing

FORK BOLT



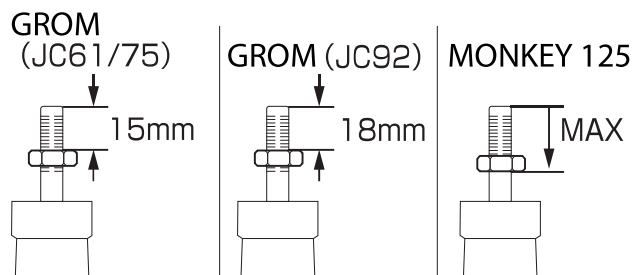
LOCK NUT FIXING PLACE

※Refer to each vehicle service manual.

●In case of GROM

Install lock nut to specified distance between dumper rod edge and lock nut edge. (Refer to the illustration below.)

●In case of MONKEY 125, tighten to the bottom.



Install lock nut to specified place, then fix lock nut and tighten fork bolt.

[TORQUE :27.5 N·m]