

R CRANK CASE COVER RING

APPLICATION : CT125 HUNTER CUB (JA55)

CODE: (RED) 307-1470620

(GUNMETAL GRAY) 307-1470690

Thank you for purchasing Kitaco product. Read and understand the instruction before installing.

ATTENTION (MUST READ)

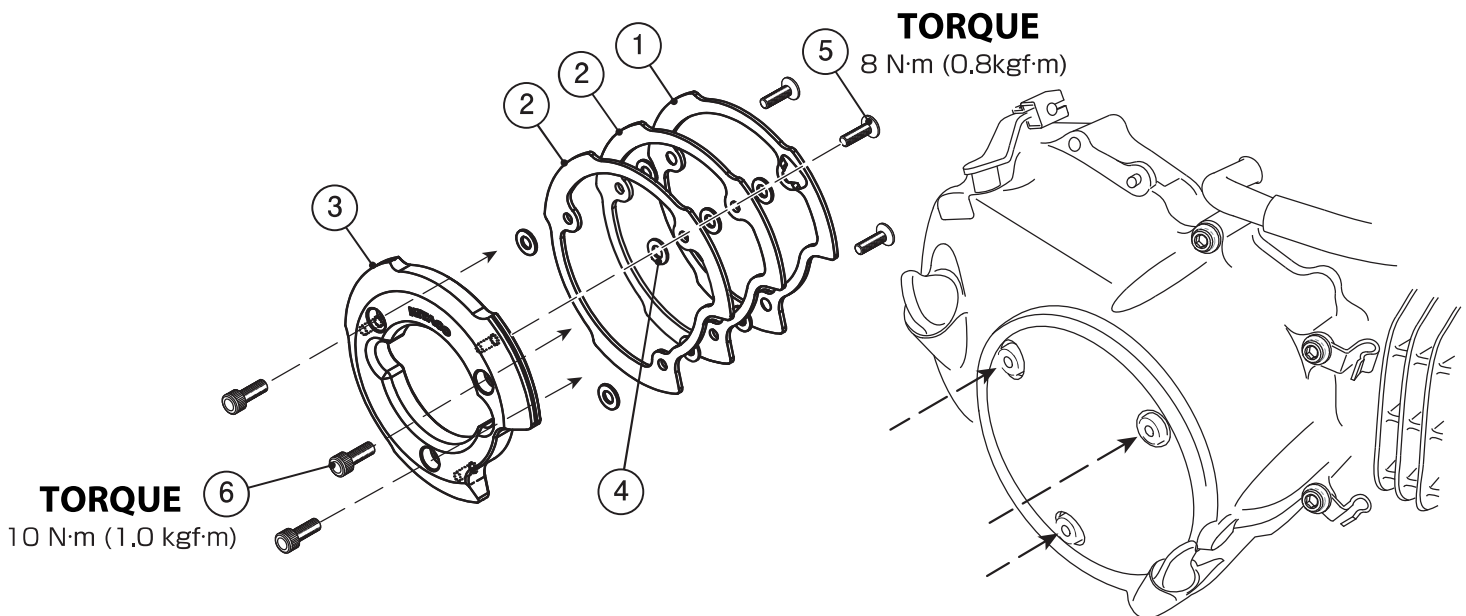
- This product is dress up parts, minimize the damage of crank case cover due to falling. (do not made for heavy using) Do not use for others.
 - This product is designed and made exclusive for application vehicle, do not use other models. Do not modify the way which is not listed or it will cause damage and trouble.
 - We are not responsible for violation of law or damages and accidents caused by assembling mistake and improper setting.
 - Refer to the manufacturer service manual when installation.
 - Bolts and nuts may get loosen by engine vibration. Make sure not to loosen any bolts and nuts before driving.
 - This instruction sheet is for the instruction for genuine condition.
- ※Metal/resin/alumite products get discolored/rust for ages as well as how to use. Please understand when using.

PACKING LIST (Refer to the figure & illustration below.)				RED	GM	
FIGURE	NAME		CODE	QTY		REMARK
1	RING PLATE A	BASE PLATE	307-1470601	1	1	
2	RING PLATE B		307-1470602	2	2	
3	TOP RING	Red	307-1470603RD	1	-	
		GM	307-1470603GM	-	1	
4	WASHER	6x13xT1.0mm	090-0900006	9	9	
5	FLAT HEAD CAP BOLT M5x15		053-0603015	3	3	TORQUE : 8N•m
6	CAP BOLT		060-0500015	3	3	TORQUE : 10N•m

HOW TO INSTALL

※If there is a hard degradation like a blem, fatigue and wear etc on the reuse parts, please change to new ones.

- 1) Remove 3pcs of genuine socket bolt, then remove R. crank case cover protector.
 - 2) Install attached base plate A and ring plate B to top ring with attached bolts.
 - 3) Install crank case cover protector to installation position with attached bolts as illustration below.
 - 4) Tighten bolts with specified torque.
- ※Tighten bolts alternately evenly.
- 5) Make sure not to loosen any bolts before riding.



191224 M-T

〒 577-0015
3-8-13 NAGATA, HIGASHI-
OSAKA, OSAKA, JAPAN

