

ALUMINUM DRY STYLE COVER

APPLICATION : MONKEY 125 (JB03) / GROM (JC92)

CODE : 307-1452700

Thank you for purchasing Kitaco product. Read and understand the instruction before installing.

■ATTENTION (MUST READ)

- This product is dress up parts. Do not use for other purposes.
- This instruction sheet is for the instruction for genuine condition. Refer to the manufacturer service manual when installation.
- This product is designed and made exclusive for application vehicles, do not use other models. Do not modify the way which is not listed or it will cause damage and trouble.
- We are not responsible for violation of law or damages and accidents caused by assembling mistake and improper setting.
- Please ask authorized mechanic for assembling and setting. Ask a specialist at specialty shop if you do not understand the role of the surrounding parts.
- Bolts and nuts may get loosen by engine vibration. Make sure not to loosen any bolts and nuts before driving.
- ※ Metal/resin/alumite products get discolored/rust for ages as well as how to use. Please understand when using.

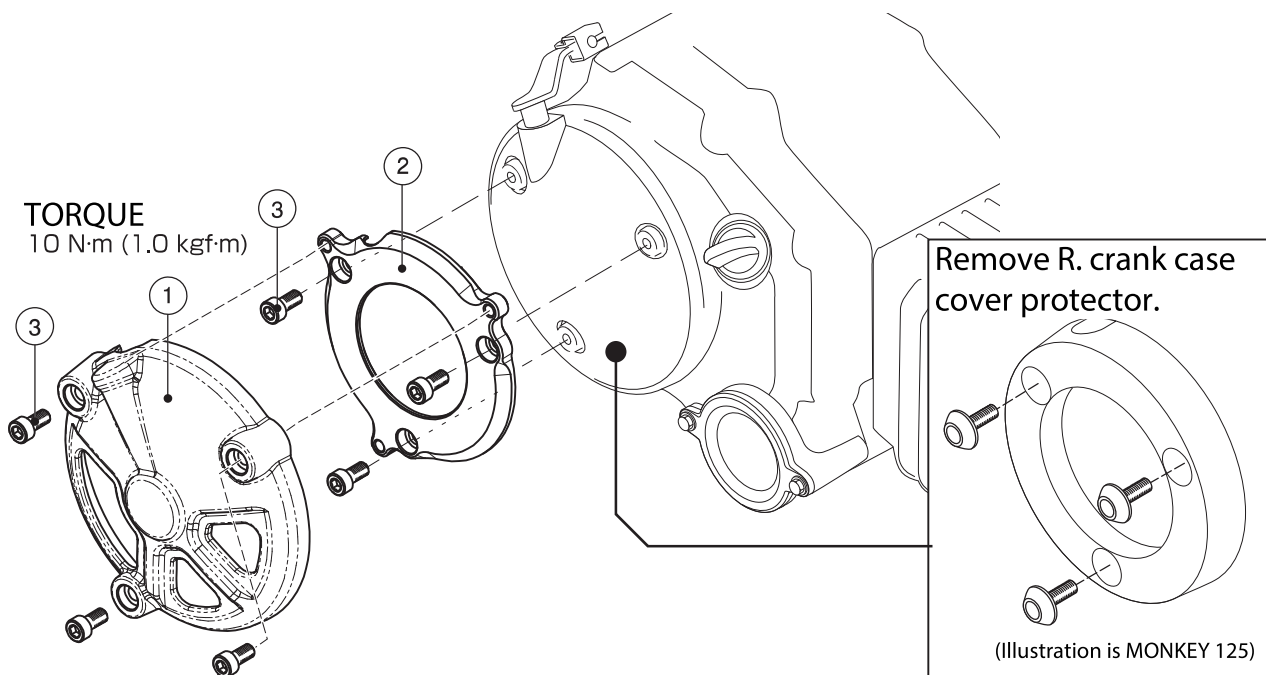
PACKING LIST (Refer to the figure & illustration below.)

FIGURE	NAME	CODE	QTY	REMARK
1	CLUTCH COVER DRY STYLE	307-1452701	1	
2	BASE DRY STYLE COVER	307-1452702	1	
3	CAP BOLT M6x12	060-0500012	6	TORQUE :10 N·m (1.0 kgf·m)

HOW TO INSTALL

※ If there is a hard degradation like a blem, fatigue and wear etc on the reuse parts, please change to new ones.

- 1) Remove 3pcs genuine socket bolts, then remove R. crank case cover protector.
- 2) Install DRY cover base temporarily with attached bolts as illustration.
- 3) Tighten bolts with specified torque alternately evenly.
- 4) Install DRY style clutch cover temporarily to base.
- 5) Tighten bolts with specified torque alternately evenly.
- 6) Make sure not to loosen any bolts before riding.



220629 M-T

3-8-13

NAGATA,HIGASHI-
OSAKA,OSAKA,JAPA

KITACO
株式会社 千七三

N