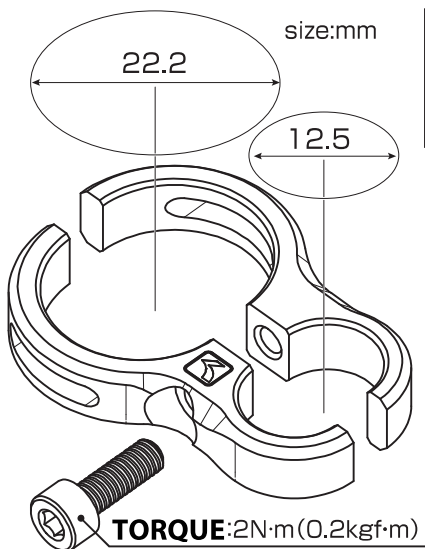


Φ 22.2 HOSE CLAMP		APPLICATION: O.D. pipe handle	
CODE			
(RED RD) 993-9010020	(BLACK BK) 993-9010050	(SILVER SL) 993-9010060	

● Thank you for purchasing Kitaco product. Read and understand the instruction before installing.

ATTENTION (MUST READ)

- This product is dress up parts for harness, cable and hose guide. Do not use for other purposes.
 - This product is made for 22.2mm O.D. pipe handle. Do not modify the way which is not listed or it will cause damage and trouble.
 - We are not responsible for violation of law or damages and accidents caused by assembling mistake and improper setting.
 - Please ask authorized mechanic for assembling and setting.
 - Refer to the manufacturer service manual when installation.
 - Bolts and nuts may get loosen by engine vibration. Make sure not to loosen any bolts and nuts before driving.
- ※ Metal/resin products get discolored/rust for ages as well as how to use. Please understand when using.



PACKING LIST			
NAME	QTY	TORQUE	
GUIDE CLAMP (RD/BK/SL)	1		
CAP BOLT M4x12	1	2N·m (0.2kgf·m)	

ATTENTION WHEN REMOVING / INSTALLING

- Do not over tighten. It might cause of break. (Recommend to use screw lock.)

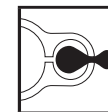


ATTENTION WHEN USING!



Be careful of scratching hoses!

Excessive rotate (layout) cables might cause of break by guide touches harness, cable and hose when handling. Please check regularly.



Stucking harness is prohibited!

Do not use with stucking harness, cable and hose when installing clamp. It might cause of break.