

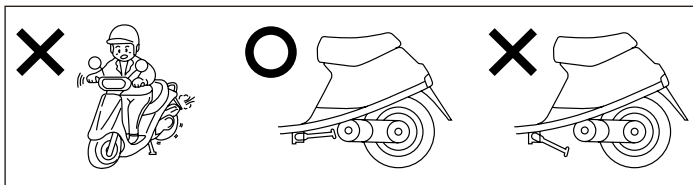
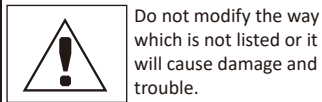
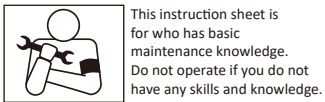
SIDE STAND HS-137 for LEAD50 / 90

CODE	656-1010137
APPLICATION	LEAD50 (AF20) LEAD90 (HF05)

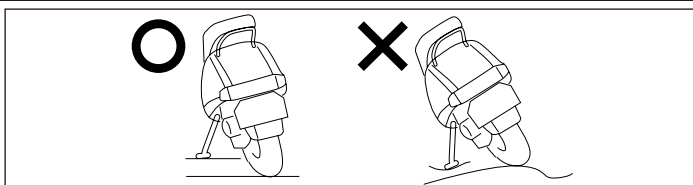
Thank you for purchasing Kitaco product. Read and understand the instruction before installing.

ATTENTION (MUST READ)

- ▲ Pay attention to below to install side stand. Assembling mistake and improper setting may cause of trouble and accident.
- We are not responsible for violation of law or damages and accidents caused by assembling mistake and improper setting.
- Please ask authorized mechanic for assembling and setting. Ask a specialist at specialty shop if you do not understand the role of the surrounding parts.
- This product is designed and made exclusive for application models, do not use other models.
- The vehicle height is changed because of changing rear shock, etc may cause of falling because of stand degree. Please install with stock condition.
- After installation, move side stand back and forth, check the strage position and positon to stable vehicle.
- Do not shake or jump on the vehicle with using side stand. It might cause of breaking side stand, surrounding parts and accident.
- Do not over weight. It causes of falling.
- Bolts and nuts may get loosen by engine vibration. Make sure not to loosen any bolts and nuts before driving.
- Please give this instruction sheet when you sell to someone.



Do not start engine with using side stand. It might cause of jump out the vehicle and falling. Please storage side stand before riding.



Do not use side stand on soft mud, bumpy road, etc. Check the side stand on the flat hard road to not falling before using side stand.

PACKING LIST	
NAME	QTY
STAND MAIN UNIT	1
STEPPED SPACER	1
FLAT WASHER	1
BOLT M3/8 x 45mm	1
NUT 3/8mm	2
SPRING WASHER 3/8mm	2
BAND BRACKET	1
BOLT M8 x 30mm	2
CUT OUT SEAL	1
INSTRUCTION SHEET	1

INSTALLATION ILLUSTRATION

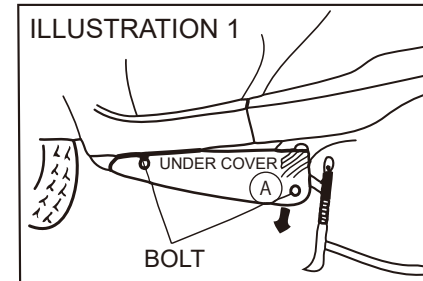


ILLUSTRATION 1

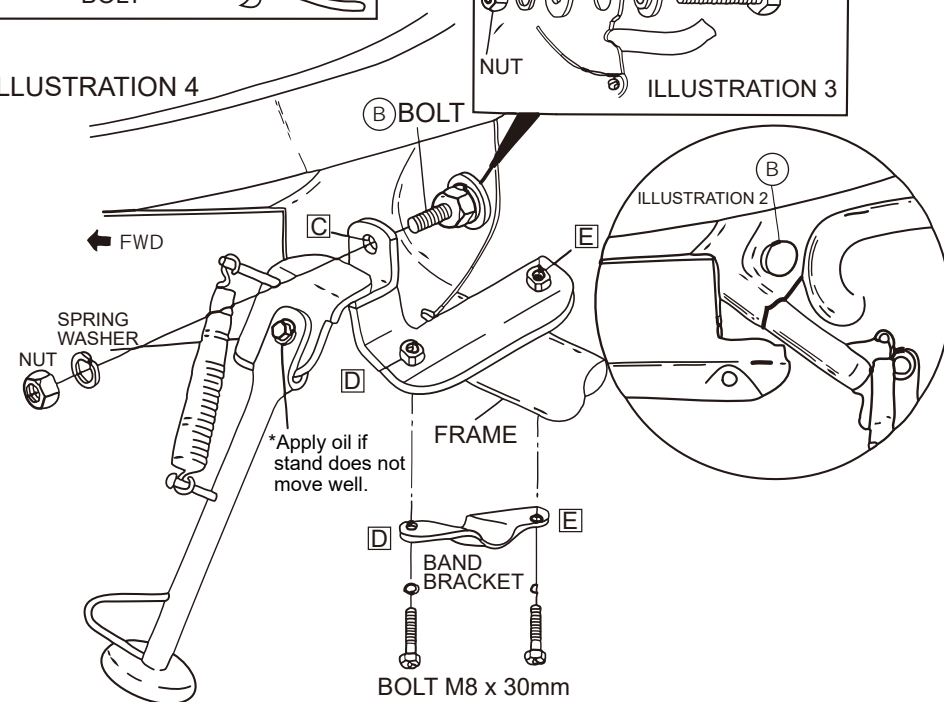


ILLUSTRATION 4

- ### HOW TO INSTALL
- 1) Remove left and right bolt of under cover, then lower it.
 - 2) Attach cut out seal to under cover upper right as illustration1, then cut out along the dotted line by hacksaw.
 - 3) Insert stepped spacer, bolt (3 / 8 x 45) to (B) hole from back side, tighten from front side with flat washer, spring washer and nut.
 - 4) Insert side stand to a gap between frame and under cowl as illustration 4. Insert (B) bolt to (C) hole and tighten lightly with spring washer and nut. Install band bracket to (DE) hole with bolt (8x30) and tighten lightly with + driver, then tighen (CDE) alternately evenly.
 - *ATTENTION : Tighen bolt one by one may cause of installation failure.
 - 5) Put the under cover back. At this time, if the side stand interrupts to cover, please shave the interrupting point.
 - 6) Put the other removed covers back to finish installation.

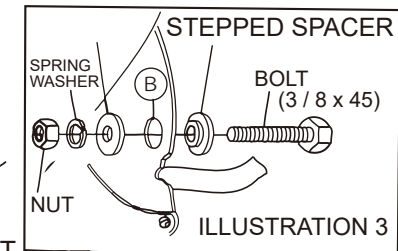


ILLUSTRATION 3

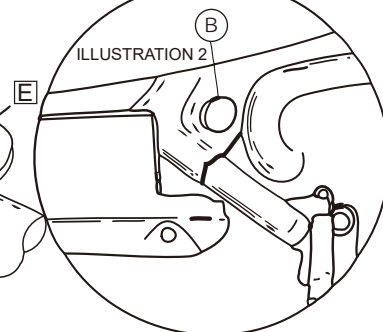


ILLUSTRATION 2

120327