

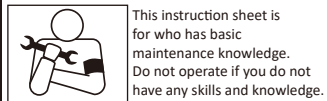
# SIDE STAND HS-135 for SUPER Dio / -SR / -ZX

CODE	656-1010135
APPLICATION	SUPER Dio / -SR / -ZX (AF27 / 28)

Thank you for purchasing Kitaco product. Read and understand the instruction before installing.

## ATTENTION (MUST READ)

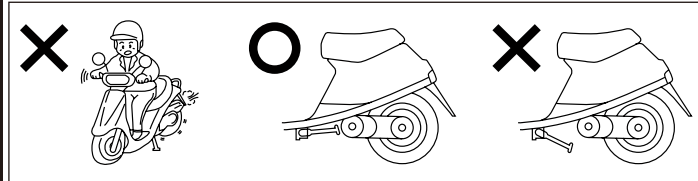
- ▲ Pay attention to below to install side stand. Assembling mistake and improper setting may cause of trouble and accident.
- We are not responsible for violation of law or damages and accidents caused by assembling mistake and improper setting.
- Please ask authorized mechanic for assembling and setting. Ask a specialist at specialty shop if you do not understand the role of the surrounding parts.
- This product is designed and made exclusive for application models, do not use other models.
- The vehicle height is changed because of changing rear shock, etc may cause of falling because of stand degree. Please install with stock condition.
- After installation, move side stand back and forth, check the strage position and positon to stable vehicle.
- Do not shake or jump on the vehicle with using side stand. It might cause of breaking side stand, surrouding parts and accident.
- Do not over weight. It causes of falling.
- Bolts and nuts may get loosen by engine vibration. Make sure not to loosen any bolts and nuts before driving.
- Please give this instruction sheet when you sell to someone.



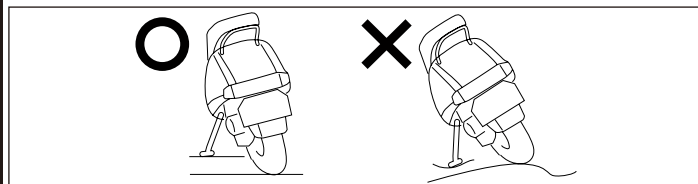
This instruction sheet is for who has basic maintenance knowledge. Do not operate if you do not have any skills and knowledge.



Do not modify the way which is not listed or it will cause damage and trouble.



Do not start engine with using side stand. It might cause of jump out the vehicle and falling. Please storage side stand before riding.



Do not use side stand on soft mud, bumpy road, etc. Check the side stand on the flat hard road to not falling before using side stand.

## HOW TO INSTALL

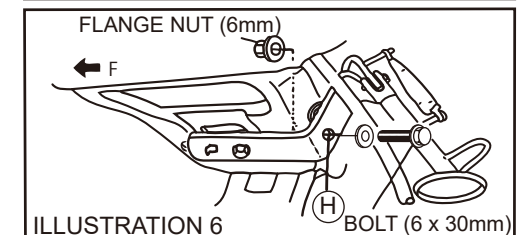
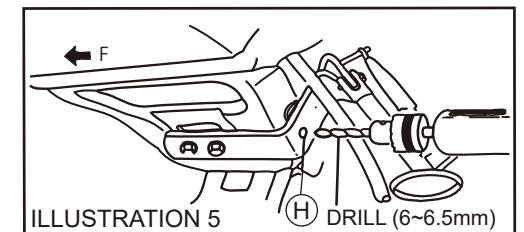
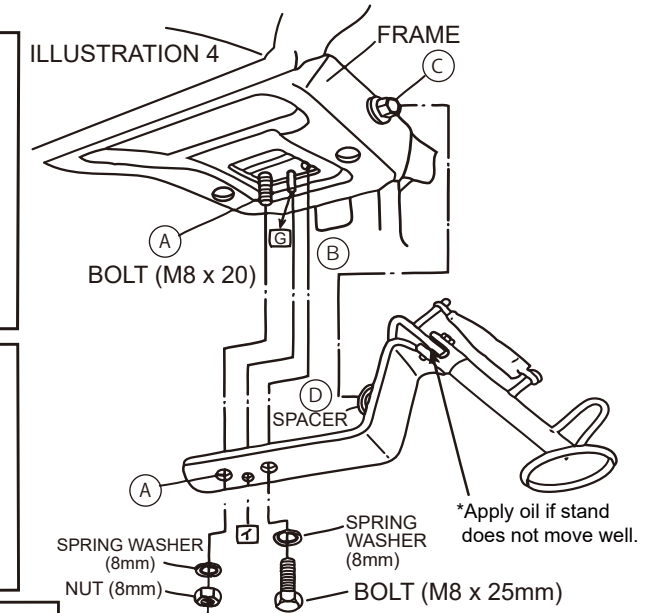
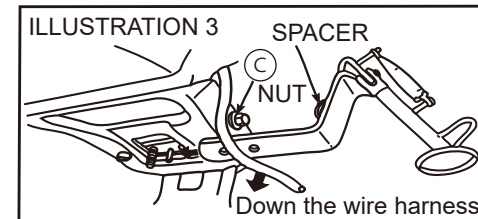
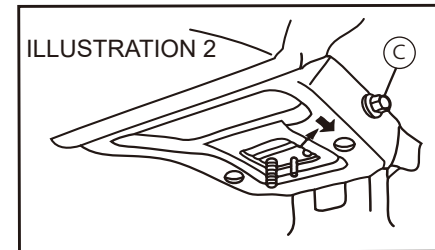
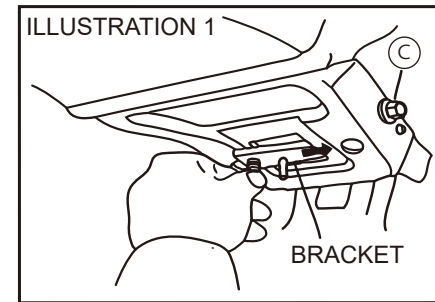
- 1) Refer to the illustration 1) Install bracket to frame corner hole.
- 2) Refer to the illustration 2) Slide bracket to forward (arrow) to install.
- 3) Refer to the illustration 3) Install side stand between wire harness and frame.
- 4) Refer to the illustration 3) Install stand side (D) spacer to vehicle side (C) nut, then install to (A) bolt and (G) roll pin.

Tighten temporarily with attached spring washer and nut (8mm) as illustration 4, check the C and D install firmly. Tighten nut to (A) side and attached spring washer, bolt (8 x 25mm) firmly to (B) hole.

5) Refer to the illustration 5) Make a hole to vehicle frame and stand (H) hole with 6~6.5mm drill.

- 6) Insert bolt (6 x 30mm) to (H) hole as illustration 6, tighten with flange nut (6mm) from back side of the frame.
- \*Only installing (A) side nut and (B) bolt may loosen while using. Must to install 3 places with (H) bolt.

## INSTALLATION ILLUSTRATION



PACKING LIST	
NAME	QTY
STAND MAIN UNIT	1
BRACKET	1
SPRING WASHER	8mm 2
BOLT	M8 x 25mm 1
NUT	8mm 1
BOLT	M6 x 30mm 1
FLANGE NUT	6mm 1
INSTRUCTION SHEET	1

120305