

## SIDE STAND HS-133 for TACT

CODE	656-1010133
APPLICATION	STAND UP TACT / -BASIC TACT (AF24)

Thank you for purchasing Kitaco product. Read and understand the instruction before installing.

### ATTENTION (MUST READ)

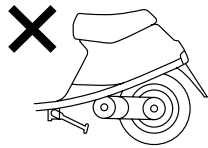
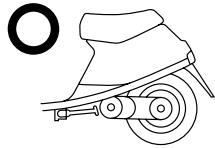
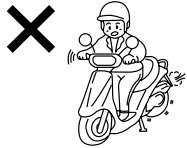
- ▲Pay attention to below to install side stand. Assembling mistake and improper setting may cause of trouble and accident.
- We are not responsible for violation of law or damages and accidents caused by assembling mistake and improper setting.
- Please ask authorized mechanic for assembling and setting. Ask a specialist at specialty shop if you do not understand the role of the surrounding parts.
- This product is designed and made exclusive for application models, do not use other models.
- The vehicle height is changed because of changing rear shock, etc may cause of falling because of stand degree. Please install with stock condition.
- After installation, move side stand back and forth, check the strage position and positon to stable vehicle.
- Do not shake or jump on the vehicle with using side stand. It might cause of breaking side stand, surrouding parts and accident.
- Do not over weight. It causes of falling.
- Bolts and nuts may get loosen by engine vibration. Make sure not to loosen any bolts and nuts before driving.
- Please give this instruction sheet when you sell to someone.



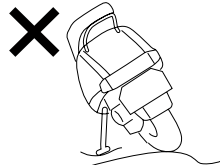
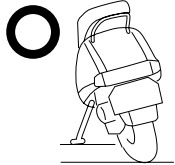
This instruction sheet is for who has basic maintenance knowledge. Do not operate if you do not have any skills and knowledge.



Do not modify the way which is not listed or it will cause damage and trouble.



Do not start engine with using side stand. It might cause of jump out the vehicle and falling. Please storage side stand before riding.



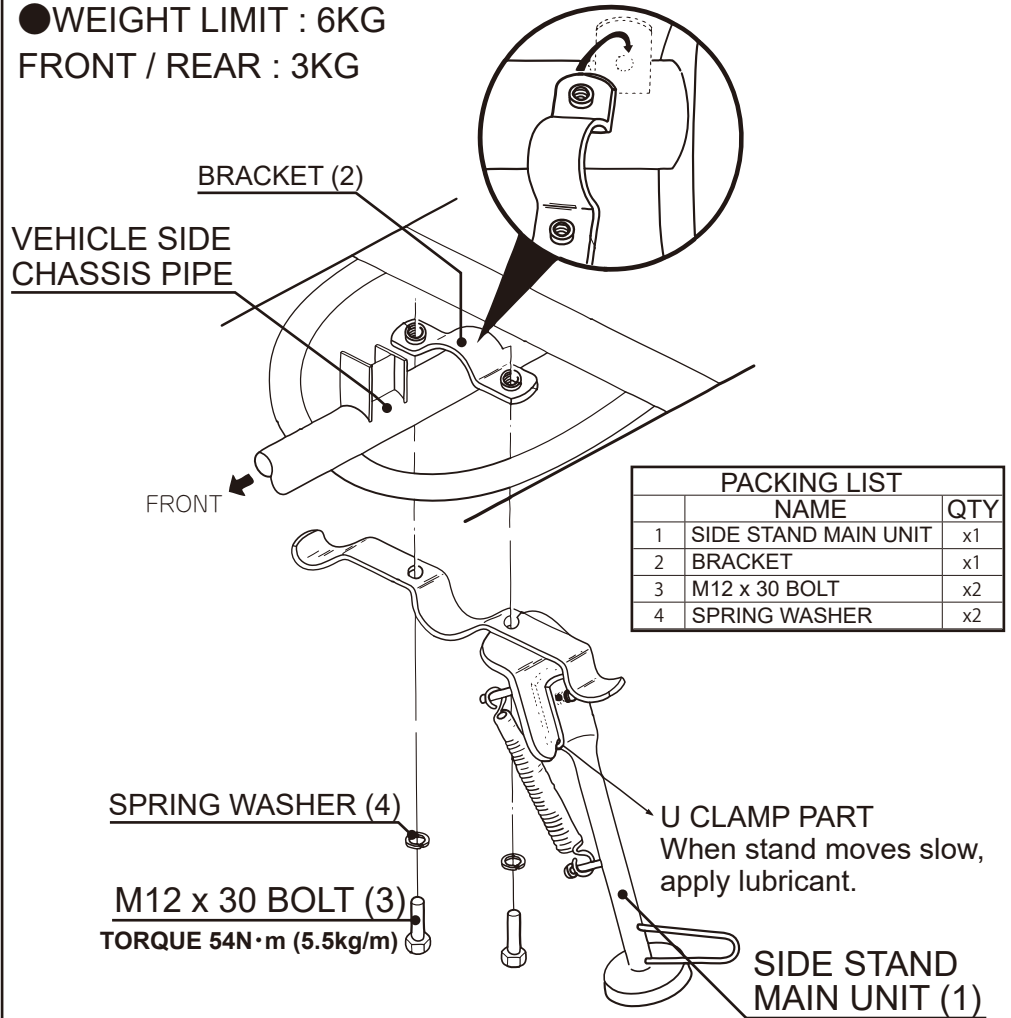
Do not use side stand on soft mud, bumpy road, etc. Check the side stand on the flat hard road to not falling before using side stand.

## INSTALLATION ILLUSTRATION

### HOW TO INSTALL

- 1) Insert bracket (2) to a gap between floor and chassis pipe in advance.
- 2) Install side stand main unit (1) with attached M12 x 30 bolt (3) and spring washer (4) as illustration. Tighten bolts alternately evenly.

●WEIGHT LIMIT : 6KG  
FRONT / REAR : 3KG



PACKING LIST		
	NAME	QTY
1	SIDE STAND MAIN UNIT	x1
2	BRACKET	x1
3	M12 x 30 BOLT	x2
4	SPRING WASHER	x2

220702