

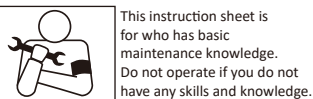
# SIDE STAND HS-119

CODE	656-1010119
APPLICATION	SUPER CUB50 / 90 / MATE50 / 80

Thank you for purchasing Kitaco product. Read and understand the instruction before installing.

## ATTENTION (MUST READ)

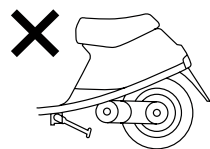
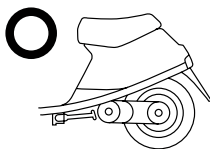
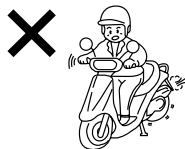
- ▲Pay attention to below to install side stand. Assembling mistake and improper setting may cause of trouble and accident.
- We are not responsible for violation of law or damages and accidents caused by assembling mistake and improper setting.
- Please ask authorized mechanic for assembling and setting. Ask a specialist at specialty shop if you do not understand the role of the surrounding parts.
- This product is designed and made exclusive for application models, do not use other models.
- The vehicle height is changed because of changing rear shock, etc may cause of falling because of stand degree. Please install with stock condition.
- After installation, move side stand back and forth, check the strage position and positon to stable vehicle.
- Do not shake or jump on the vehicle with using side stand. It might cause of breaking side stand, surrouding parts and accident.
- Do not over weight. It causes of falling.
- Bolts and nuts may get loosen by engine vibration. Make sure not to loosen any bolts and nuts before driving.
- Please give this instruction sheet when you sell to someone.



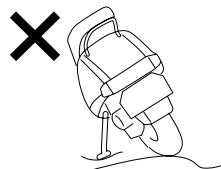
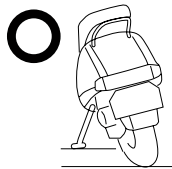
This instruction sheet is for who has basic maintenance knowledge. Do not operate if you do not have any skills and knowledge.



Do not modify the way which is not listed or it will cause damage and trouble.



Do not start engine with using side stand. It might cause of jump out the vehicle and falling. Please storage side stand before riding.



Do not use side stand on soft mud, bumpy road, etc. Check the side stand on the flat hard road to not falling before using side stand.

211014

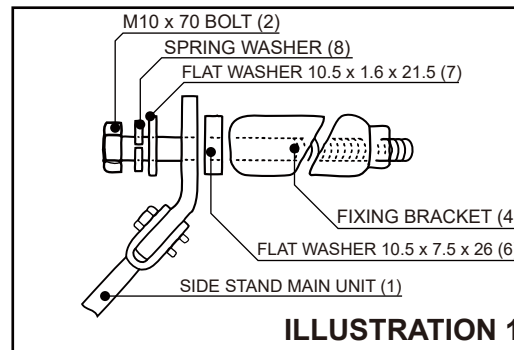


ILLUSTRATION 1

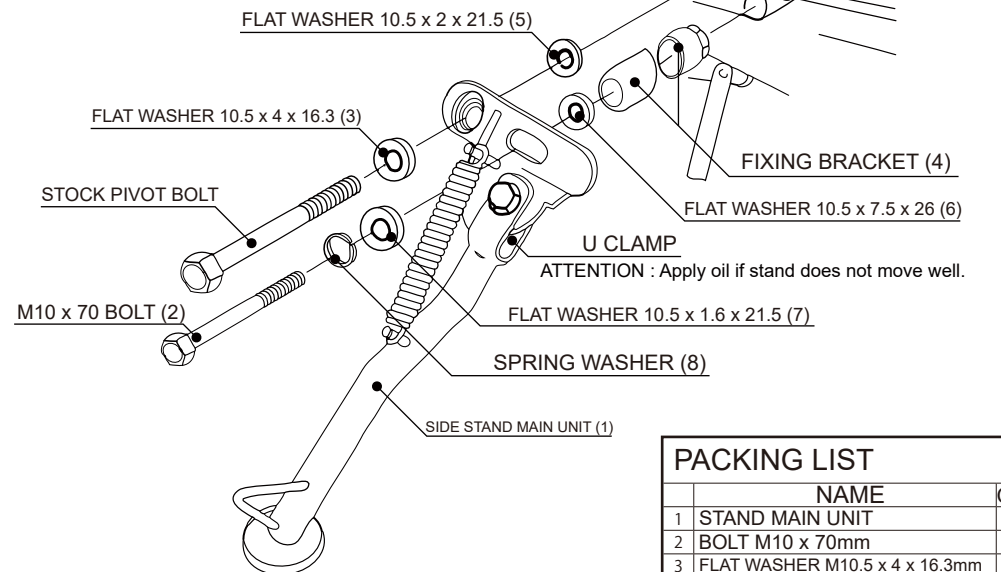


ILLUSTRATION 2

STOCK M10 NUT or M10 THIN NUT (9)  
**TORQUE 34N·m (3.5kg/m)**

STOCK FLAT WASHER

SWING ARM

FIXING BRACKET (4)

FLAT WASHER 10.5 x 7.5 x 26 (6)

U CLAMP

ATTENTION : Apply oil if stand does not move well.

FLAT WASHER 10.5 x 1.6 x 21.5 (7)

SPRING WASHER (8)

SIDE STAND MAIN UNIT (1)

## PACKING LIST

	NAME	QTY
1	STAND MAIN UNIT	x1
2	BOLT M10 x 70mm	x1
3	FLAT WASHER M10.5 x 4 x 16.3mm	x1
4	FIXING BRACKET	x1
5	FLAT WASHER (10.5 x 2.0 x 21.5mm)	x1
6	FLAT WASHER (10.5 x 7.5 x 26mm)	x1
7	FLAT WASHER (10.5 x 1.6 x 21.5mm)	x1
8	SPRING WASHER 10mm	x1
9	THIN NUT 10mm	x1

## HOW TO INSTALL

- 1) Install fixing bracket (4) to side stand main unit (1) stay long hole with attached M10 x 70 bolt (2), spring washer (8) and flat washer (6 / 7) as illustration 1.
  - 2) Remove pivot bolt from swing arm. (Remove vehicle right side muffler stay nut.)
  - 3) Fit bracket (4) installed to side stand main unit (1) on 1 in swing arm hole.  
\* Welding mark might be left on swing arm hole, press bracket to the half.
  - 4) Install side stand main unit with pivot bolt and attached flat washer (3 / 5) together. Press fixing bracket (4) in at the same time. If unable to tighten nut because of screw tip does not come out from right side, please tighten attached M10 thin nut (9). If nut hang still shallow, deal with muffler stay inside washer.  
\* Fixing bracket (4) might get loosen gradually. Please check tightening before ride, if loosen, tighten additionally.  
\* Do not use side stand with heavy luggage load to front basket or carrier.
- ▲LOADING LIMIT : 6KG (front / rear : 3kg)