

CRANK CASE COVER GARNISH

CODE : 335-1427100 (05S-ZH-07971100)

APPLICATION :
Dio110 (JF31-1000001 ~ 1099999) Japanese domestic model.

- Thank you for purchasing Kitaco product. Read and understand the instruction before installing.

ATTENTION (MUST READ)

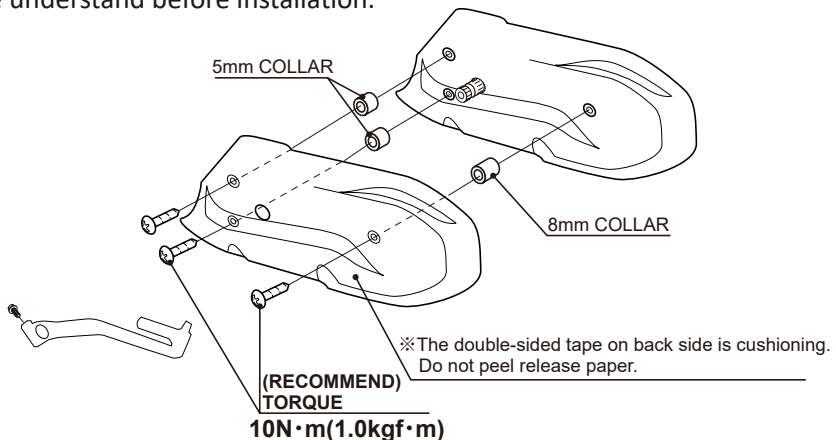
- This instruction sheet is for the instruction for stock condition.
- This product is for dress up installing crank case cover. Do not use for other purposes.
- This product is designed and made exclusive for application model, do not use other models. Do not modify the way which is not listed or it will cause damage and trouble.
- We are not responsible for violation of law or damages and accidents caused by assembling mistake and improper setting.
- Please ask authorized mechanic for assembling and setting.
- Refer to the manufacturer service manual when installation.
- Attached surface may get loosen by engine vibration. Make sure not to loosen any bolts and nuts before driving.
- ※ Chrome might be uneven, but it does not affect product quality. Please understand before installation.
- ※ Metal/resin products get discolored/rust for ages as well as how to use. Please understand when using.

PACKING LIST

CODE	NAME	QTY
335-1427100	CRANK CASE COVER (CHROME)	1
0900-093-00006	SPACER COLLAR $\varphi 13 \times \varphi 6.2 \times 5$	2
0900-093-00007	SPACER COLLAR $\varphi 13 \times \varphi 6.2 \times 8$	1
066-0500030	TRUSS SMALL SCREW $M6 \times 30$	3

HOW TO INSTALL

- ※ In case there is a double-sided tape on the back side of case cover, which is cushioning material, do not peel release paper. (The tape is strong, forcefully removing may cause of breaking cover. Be careful of it.)
- Remove stock case cover bolt (3pcs). Install Kitaco case cover on the stock case cover with attached bolts and collars.
- ※ When tightening screw, over-tightening may break Kitaco cover. Be careful of tightening. This is chrome and resin product, screw tightening marks remain. Please understand before installation.



110722