



SECURITY RELATED PARTS

**KML-03**

**KITACO ANTI-THIEF LEVEL 80**

**DON'T LET THE HANDLE TURN!**



**HORN SHAFT**

Guards against removing the horn cover and replacing the entire handle.

**HANDLE LOCK SHAFT**

A shaft that hits the bottom of the inner panel and prevents from turning the steering wheel.

**PERFECT PICKING MEASURES  
ABLOY KEY CYLINDER**

Abloy's key cylinders (Finland) are highly regarded as standard cylinders for nuclear power plants and famous museums in Europe.

**HANDLE CUT PREVENTION PLATE**

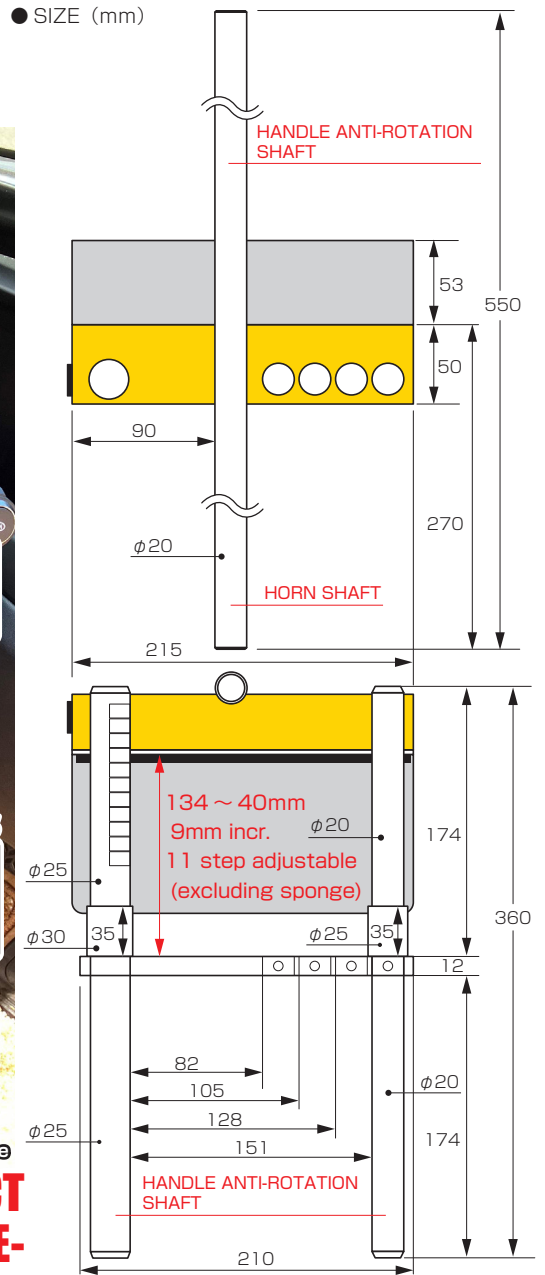
**HANDLE ANTI-ROTATION SHAFT**

The shaft, which prevents handle wheel from turning.

PHOTO : LEXUS RZ450e

**FOR ANY TYPE OF VEHICLE, INCLUDING COMPACT CARS, PASSENGER CARS, LUXURY CARS & ONE-BOX CARS !!**

● SIZE (mm)



Kitaco original installing way, Kitaco steering sand lock style. 24mm increments for width (4 patterns) and 9mm increments for height (11 patterns) adjustable.

**STEERING LOCK KML-03**

CODE	PRICE
881-1000530	¥55,000

- UPPER BRACKET : SUPER DURALUMIN STEEL YELLOW BURNING PAINT FINISH
- UNDER BRACKET : SPECIAL ALLOY STEEL
- HANDLE ANTI-ROTATION / HORN SHAFT :  $\phi 20$  STAINLESS ALLOY STEEL
- HANDLE LOCK SHAFT :  $\phi 22 / \phi 25$  HARD SPECIAL ALLOY STEEL
- HANDLE CUT PREVENTION PLATE : STEEL WITH BLACK PAINT : 3 mm thick
- INSTALLING RANGE : WIDTH 4 PATTERNS (82/105/128/151mm) THICKNESS 11 PATTERNS (40/49/59/68/77/87/96/106/115/124/134mm)
- KEY CYLINDER : MADE FROM ABLOY (SENTRY)
- 2 KEYS INCLUDED (SPARE KEY INCL.) ● WEIGHT : 5.6kg
- SHAFT COVER INCL. ● 3mm THICK HEX WRENCH INCL.

APPLICATION

**LEXUS** LX570/600 · RZ450e · LS · RX · NX · IS · ES · CT · UX etc.  
**TOYOTA**  
 LAND CRUISER (300 SERIES) · ALPHARD/VELLFIRE (30 SERIES) · LAND CRUISER PRADO · PRIUS (60 SERIES) · HARRIER (80 SERIES) · VOXY (90 SERIES) · ALPHARD/VELLFIRE (40 SERIES) etc.

※ THE SIZE OF VARIABLE PATTERNS IS THE SIZE WITHOUT SHAFT COVER. O KEY SERIAL NUMBER IS PRINTED ON SERIAL CARD, WHICH IS REQUIRED WHEN