

**O-RING & GASKET & OILSEAL REPLACEMENT PARTS**

THIS TIME, "O-RING, GASKET & OIL SEAL" REPLACEMENT PARTS RELEASED !

**K·PIT**

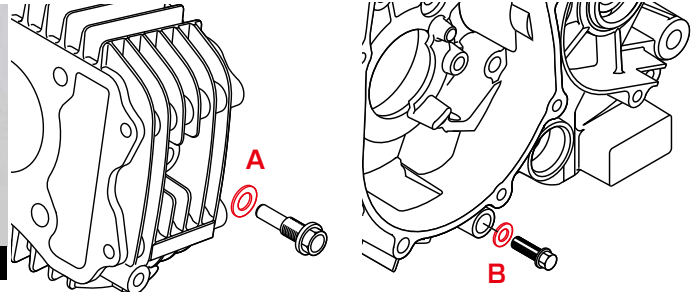
**WASHER / SEALING WASHER**





A/70-090-14321

B/70-092-14321

REPLACEMENT O-RING AS GENUINE QUALITY & SAME SIZE.



	CODE	SIZE	QTY	PRICE	GENUINE NUMBER / PLACE TO USE
<b>A</b>	<a href="#">70-090-14321</a> 	8.2 × 13.9 × 1.0	1	¥ 140	GENUINE NUMBER : 90475-KWB-600 PLACE TO USE : CAM CHAIN GUIDE ROLLER
<b>B</b>	<a href="#">70-092-14321</a> 	6.2 × 11.8 × 1.2	1	¥ 120	GENUINE NUMBER : 90463-ML7-000 PLACE TO USE : OIL CHECK BOLT

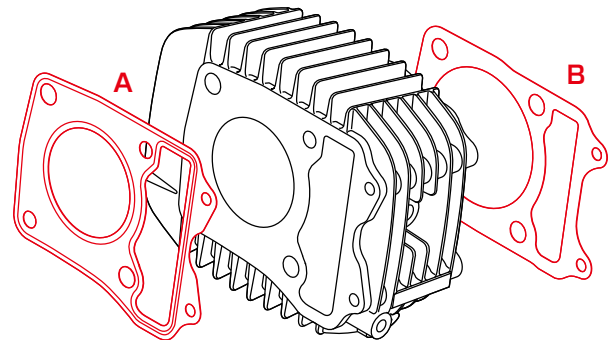
**CYLINDER HEAD GASKET / CYLINDER BASE GASKET**



A/70-961-14321

B/70-962-14321

REPLACEMENT GASKET AS GENUINE QUALITY & SAME SIZE.



	CODE	QTY	PRICE	GENUINE NUMBER / PLACE TO USE
<b>A</b>	<a href="#">70-961-14321</a> 	1	¥960	GENUINE NUMBER : 12251-KYZ-901 PLACE TO USE : CYLINDER (HEAD SIDE)
<b>B</b>	<a href="#">70-962-14321</a> 	1	¥400	GENUINE NUMBER : 12191-KYZ-900 PLACE TO USE : CYLINDER (CASE SIDE)

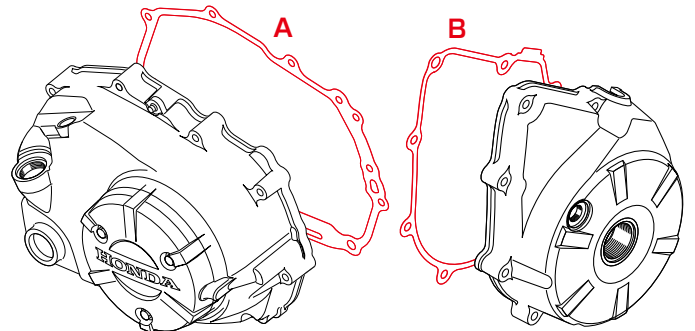
**R / L CRANKCASE COVER GASKET**



A/70-966-14324

B/70-966-14325

REPLACEMENT CRANKCASE COVER GASKET AS GENUINE QUALITY & SAME SIZE.



	CODE	QTY	PRICE	GENUINE NUMBER / PLACE TO USE
<b>A</b>	<a href="#">70-966-14324</a> 	1	¥900	GENUINE NUMBER : 11394-KYZ-900 PLACE TO USE : R SIDE CRANKCASE COVER
<b>B</b>	<a href="#">70-966-14325</a> 	1	¥600	GENUINE NUMBER : 11395-KPH-901 PLACE TO USE : L SIDE CRANKCASE COVER