



"KITACO" IS NOT ONLY
A SHARP DRESSER
BUT TOPS IN THE WORLD
OF MOTORCYCLE

KITACO

KITACO NEW PRODUCTS!!

SPECIAL ADVERTISEMENT FOR NEW ITEM
2007 Vol.15

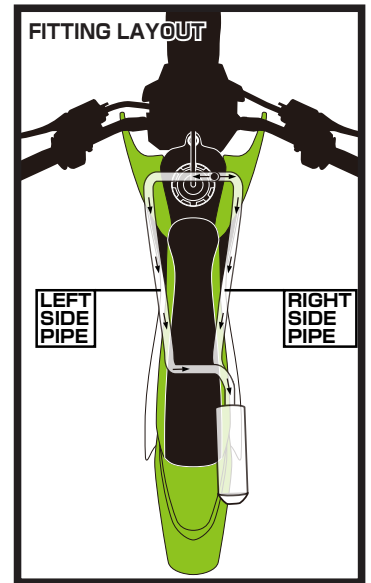
3-8-13, NAGATA, HIGASHI-OSAKA
OSAKA, JAPAN, 577-0015
URL <http://www.kitaco.co.jp>

KLX110 STAINLESS MOTARD RACING UP MUFFLER

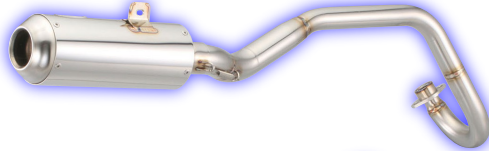
SPECIAL MUFFLER for KLX110 AVAILABLE!

- Race use only
- 2 types available
- Direct replacement of stock muffler
- All stainless
- Sound : 92db/4,000rpm
- ※ MUFFLER GASKET sold separately
XK-12 (2 pcs a set) 963-4000012

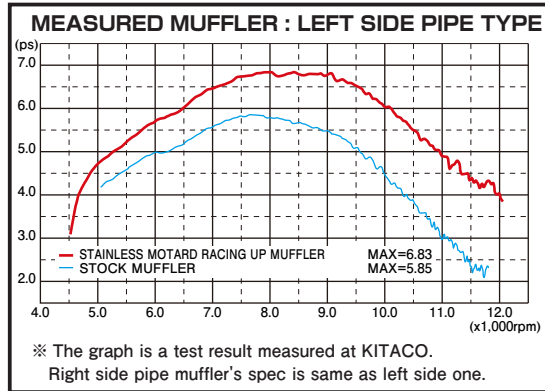
APPLICATION
KLX110 LX110A-000001 ~



RIGHT SIDE PIPE TYPE



LEFT SIDE PIPE TYPE



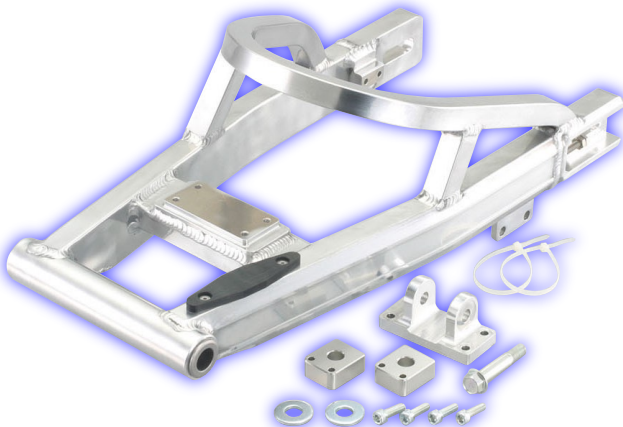
KSR/KLX110 ALUMINUM SWING ARM

ALUMINUM SWING ARM 50% LIGHTER THAN STOCK!

KSR110

- 30cm longer than stock
- Fits with stock rear shock absorber(Can set height in 2 ways)
- With CHAIN SLIDER
- DRIVE CHAIN GUARD : CRF50/70 (purchase separately)
- ※ The following stock parts must be changed when installing
DRIVE CHAIN : 420 x 110L size chain (cut and adjust size)
REAR BRAKE HOSE : STAINLESS MESH BRAKE HOSE R (938) 773-4021200
- ※ Make sure to use larger size front sprocket and set the swing arm not to rub with the chain.

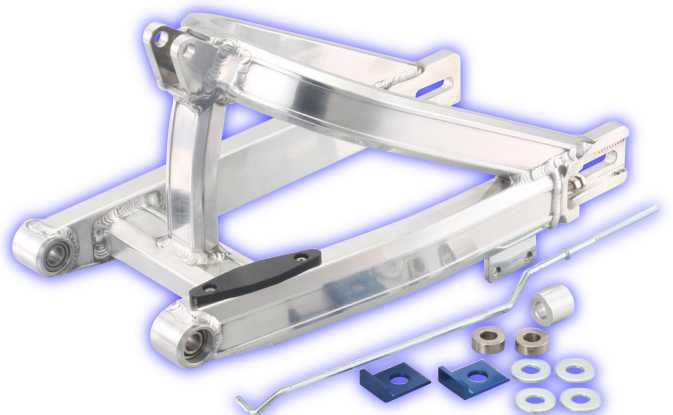
APPLICATION
KSR110 KL110A-000001 ~



KLX110

- 50cm longer than stock
- Fits with stock ~ 280mm rear shock absorber
- With CHAIN SLIDER
- BRAKE ROD included
- DRIVE CHAIN GUARD : CRF50/70 (purchase separately)
- ※ The following stock parts must be changed when installing
DRIVE CHAIN : 420 x 100L size chain
- ※ Make sure to use larger size front sprocket and set the swing arm not to rub with the chain.

APPLICATION
KLX110 LX110A-000001 ~



NAME	NO,
KLX110 STAINLESS MOTARD RACING UP MUFFLER (RIGHT PIPE)	540-4022610
KLX110 STAINLESS MOTARD RACING UP MUFFLER (LEFT PIPE)	540-4022620
KRS110 ALUMINUM SWING ARM (30mm LONGER)	519-4021700
KLX110 ALUMINUM SWING ARM (50mm LONGER)	519-4022700

※ WE ARE WAITING FOR YOUR ORDER!
※ IF YOU HAVE ANY QUESTION, DO NOT HESITATE TO ASK US!